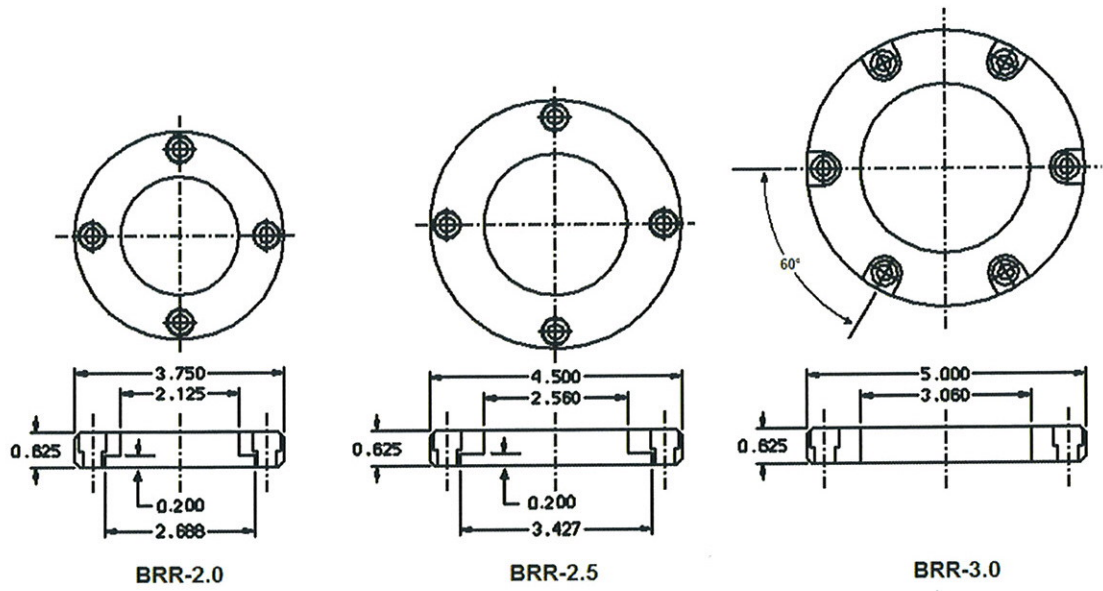


KTM Mould Components

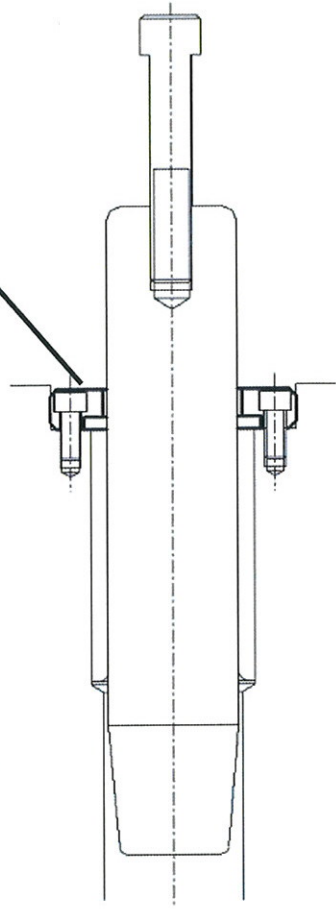
Canadian Head Office : 295 Alliance Rd Unit #12, Milton, Ont. Canada L9T 4W8

KTM Mould Components

Bushing Retainer Ring



A quick, easy, secure method of retaining leader pin bushings. Easily accessible for maintainability.



Catalog Number	Description
BRR-2.0	Counter bored for 5/16 cap screw on 4 EQ spaced Ø3.12" bolt circle. Recessed for shoulder bushing head.
BRR-2.5	Counter bored for 5/16 cap screw on 4 EQ spaced Ø3.88" bolt circle. Recessed for shoulder bushing head.
BRR-3.0	Counter bored for 5/16 cap screw on 6 EQ spaced Ø4.38" bolt circle.

Phone: (905) 878-3788
 Fax : (905) 878-0900