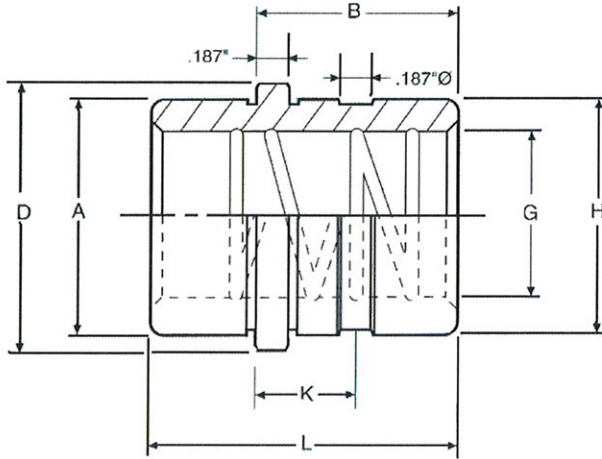


KTM Mould Components

Canadian Head Office : 295 Alliance Rd Unit #12, Milton, Ont. Canada L9T 4W8

KTM Ejector Guide Aluminum Bronze Bushing



Catalog Number	Pin Dia	G	H	A	D	L	B	K
EJG750	0.75"	0.751"	1.1255"	1.1240"	1.302"	1.50"	1.00"	0.56"
EJG100	1.00"	1.001"	1.3755"	1.3740"	1.552"	1.75"	1.12"	0.62"
EJG200	2.00"	2.001"	2.5005"	2.4990"	2.687"	2.25"	1.62"	0.80"

TOLERANCES	
G	(+0.0005)
	(-0.0000)
H	(+0.0005)
	(-0.0000)
A	(+0.000)
	(-0.001)
D	(+0.000)
	(-0.005)
L	(+0.00)
	(-0.03)