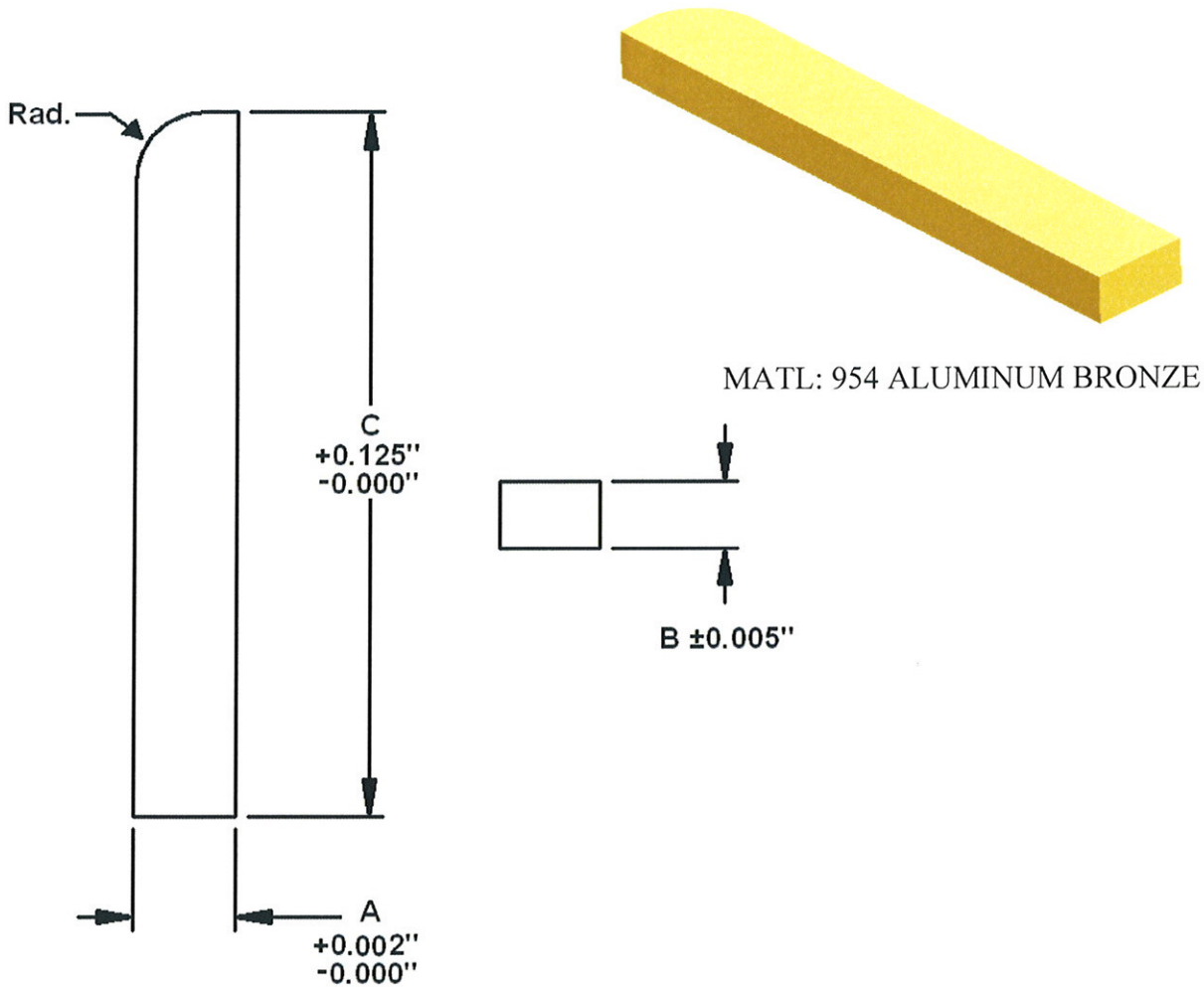




KTM Mould Components

Canadian Head Office : 295 Alliance Rd Unit #12, Milton, Ont. Canada L9T 4W8



	A	B	RAD.	C	
KTM-GIB75L6	0.750	0.625	0.515	9.000	Stock Available
KTM-GIB75L9	0.750	0.625	0.515	6.000	Stock Available
KTM-GIB100L6	1.000	0.750	0.515	9.000	Coming Soon
KTM-GIB100L10	1.000	0.750	0.515	10.000	Coming Soon
KTM-GIB150L9	1.500	1.250	1.015	9.000	Coming Soon
KTM-GIB150L15	1.500	1.250	1.015	15.000	Coming Soon

READY TO USE. PRE-MACHINED GIB WITH RADIUS.