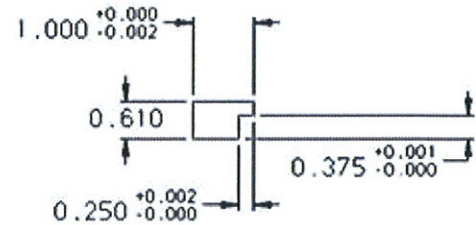
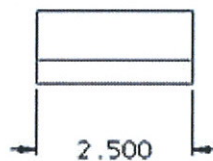
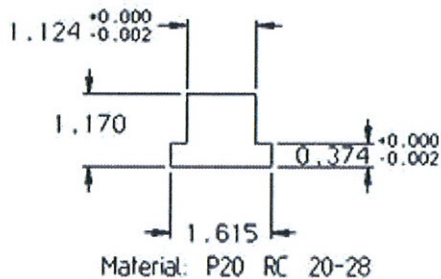
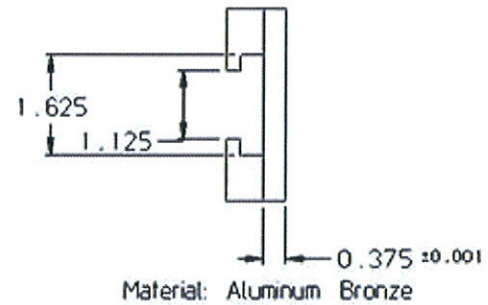
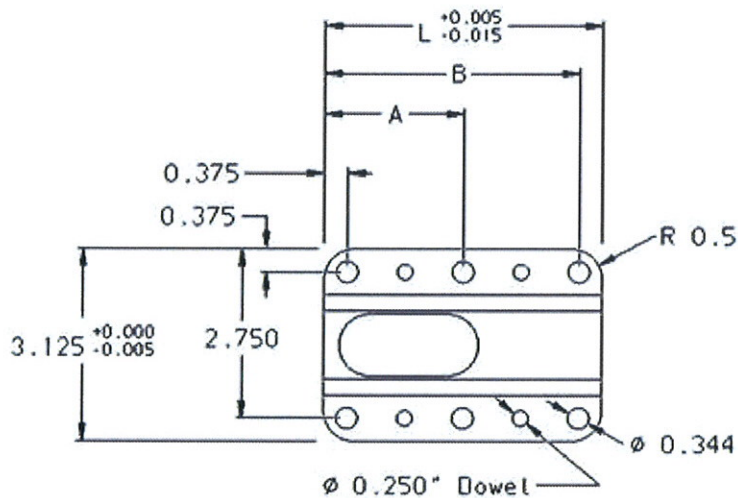
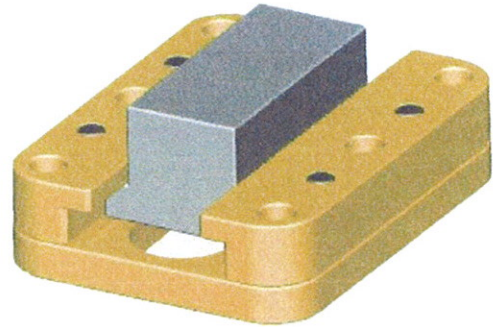


Canadian Head Office : 295 Alliance Rd Unit #12, Milton, Ont. Canada L9T 4W8

## KTM Gib Assembly



Gib Assembly With T-Slide	A	B	L
KT-10	-	3.125	3.5
KT-20	2	3.625	4
KT-30	2.25	4.125	4.5

### Features:

- \* Gib Assembly includes:
  - 2 L-Gibs, 1 Base Plate, 1 T-Slide
- \* Assembly comes pre doweled, and predrilled clearance for mounting screws
- \* Base Plate is machined with thru hole for ease of assembly
- \* Tolerances  $\pm 0.010$  unless otherwise specified