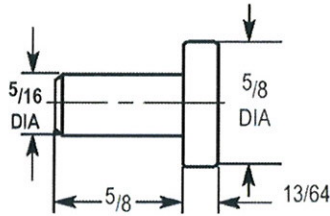


KTM **Mould Components**

Canadian Head Office : 295 Alliance Rd Unit #12, Milton, Ont. Canada L9T 4W8

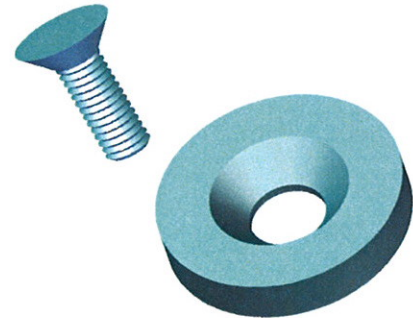
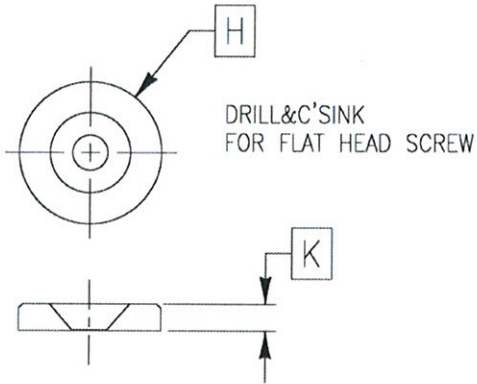
KTM Stop Buttons

Catalog Number	PKG Qty
KTM7100	100 pcs



Head thickness may come over sized for fitting at assembly.

KTM SHOULDER PLATES



ITEM	H Dia.	K	
		(+0.000)	(-0.002)
KSP-06	1"	(3/16)	(1/4 - 20)
KSP-08	1 3/16	(3/16)	(1/4 - 20)

***Screw included**