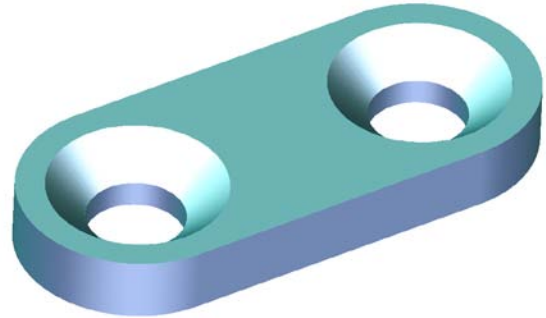
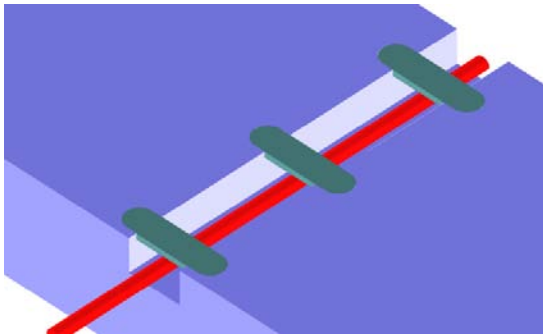
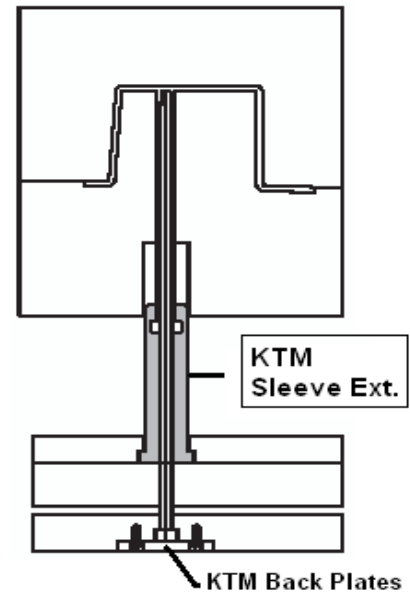
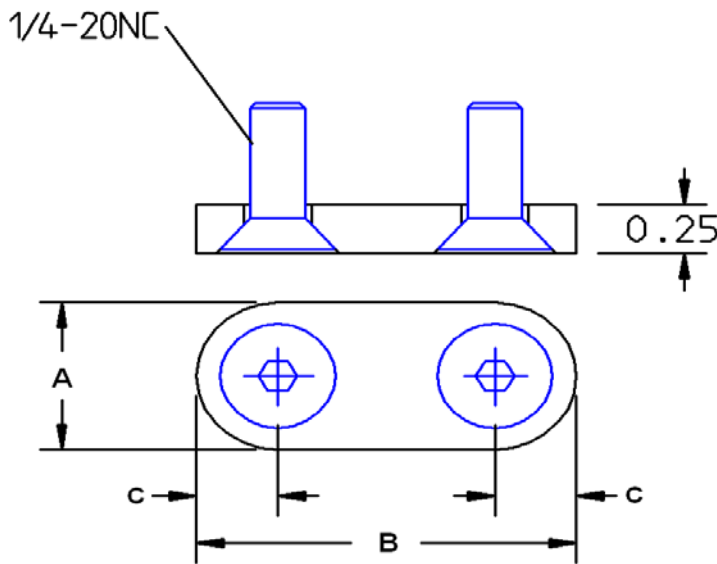


Canadian Head Office: 530 Martin Street Unit 11, Milton, On. Canada L9T 3H6
 Phone: (905) 878-3788 Fax: (905) 878-0900 www.kingstool.com



KTM Core Pin Back Plate / Wire Channel Cover Plates



Catalog Number	Description	A	B	C
PBP-75x175	Back Plate (0.75" x 1.75") for Two 1/4-20NC Screws	0.75"	1.75"	0.375"
PBP-1x2.5	Back Plate (1.0" x 2.50") for Two 1/4-20NC Screws	1.0"	2.5"	0.5"
PBP-1x2.75	Back Plate (1.0" x 2.75") for Two 1/4-20NC Screws	1.0"	2.75"	0.5"
PBP-1x3.25	Back Plate (1.0" x 3.25") for Two 1/4-20NC Screws	1.0"	3.25"	0.5"
PBP-1x3.75	Back Plate (1.0" x 3.75") for Two 1/4-20NC Screws	1.0"	3.75"	0.5"

Tolerance:
 ± 0.010 " unless otherwise specified
 $0.00/-0.015$ " on 0.25" thickness