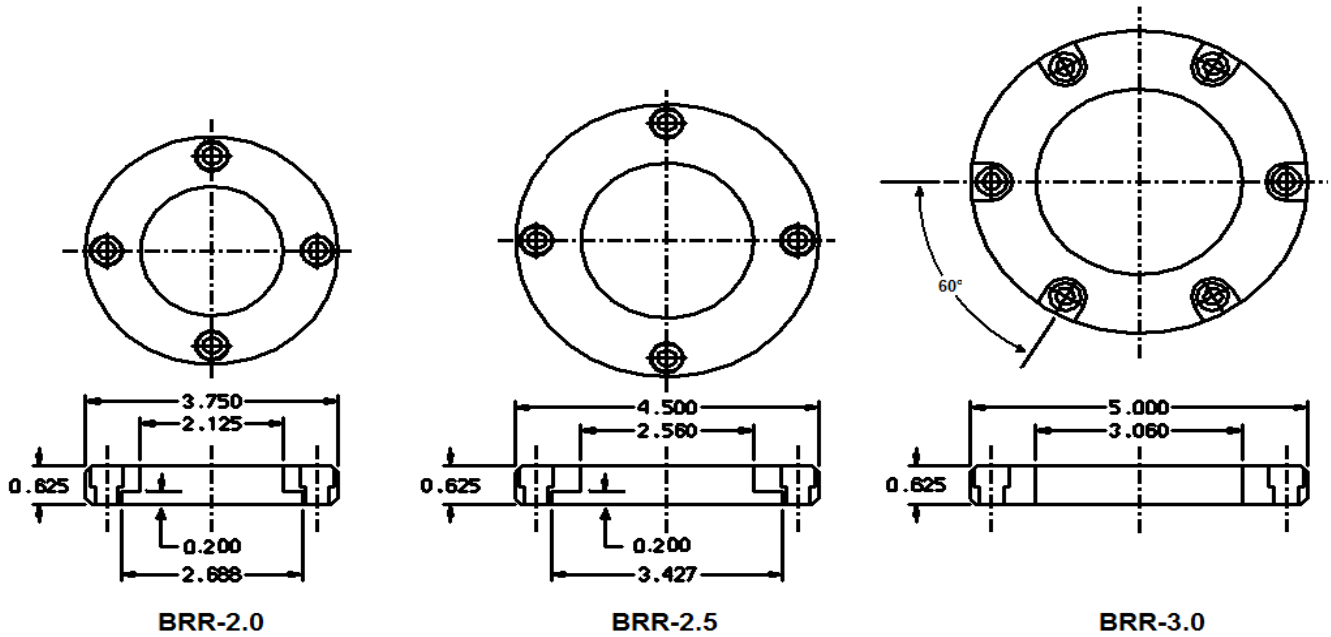
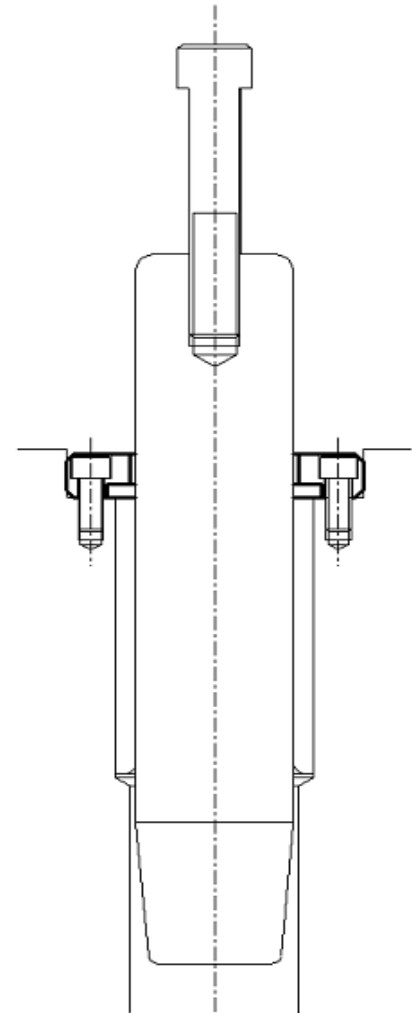


Canadian Head Office: 530 Martin Street Unit 11, Milton, On. Canada L9T 3H6

Phone: (905) 878-3788 Fax: (905) 878-0900 www.kingstool.com



A quick, easy, secure method of retaining leader pin bushings. Easily accessible for maintainability.



Catalog Number	Description
BRR-2.0	Counter bored for 5/16 cap screw on 4 EQ spaced $\varnothing 3.12$ " bolt circle. Recessed for shoulder bushing head.
BRR-2.5	Counter bored for 5/16 cap screw on 4 EQ spaced $\varnothing 3.88$ " bolt circle. Recessed for shoulder bushing head.
BRR-3.0	Counter bored for 5/16 cap screw on 6 EQ spaced $\varnothing 4.38$ " bolt circle.