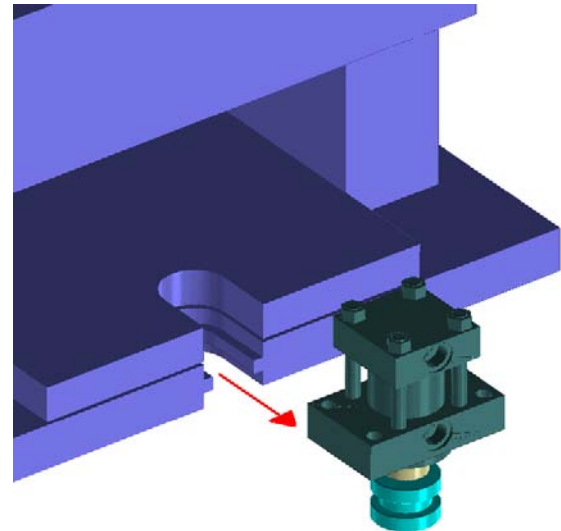
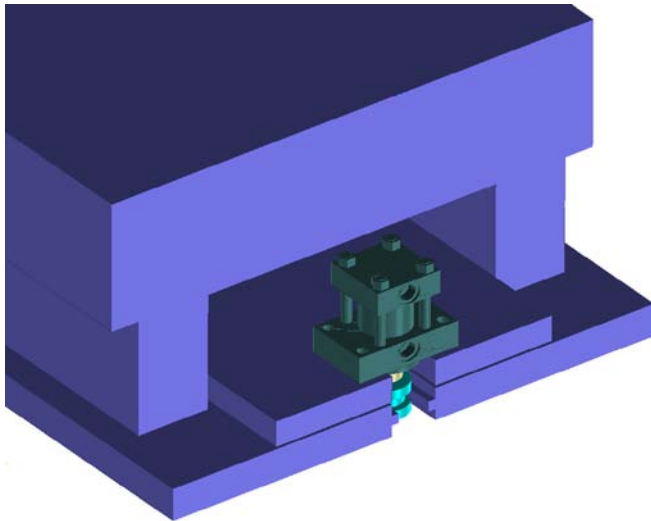


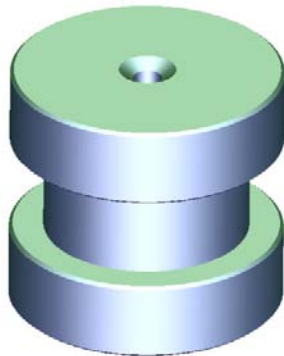
Canadian Head Office: 530 Martin Street Unit 11, Milton, On. Canada L9T 3H6

Phone: (905) 878-3788 Fax: (905) 878-0900 www.kingstool.com

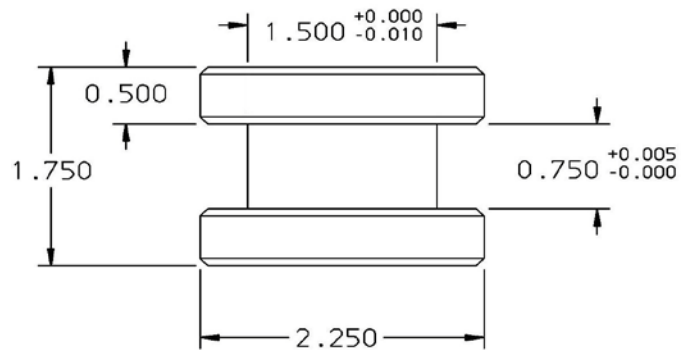
KTM Hydraulic Yokes



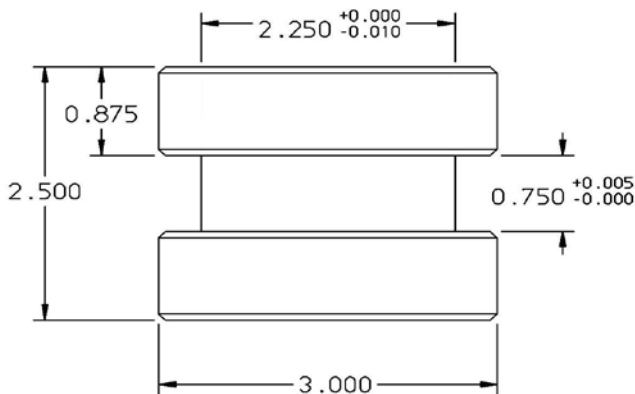
ALLOWS EASY ACCESS TO ASSEMBLE & DISASSEMBLE HYDRAULIC CYLINDERS FROM PLATES



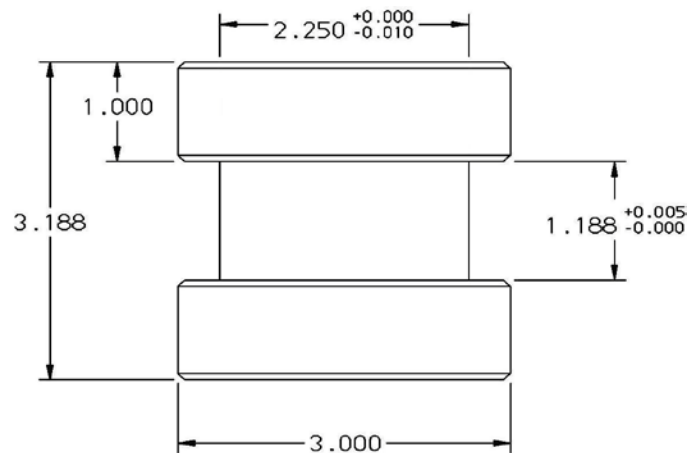
All Yokes come with pre-drilled center starter hole



KTM-YOKE-A



KTM-YOKE-B



KTM-YOKE-C

Note: All tolerances +/-0.010" unless other wise noted

Custom Yokes Available; Tailor Made To Your Specification.

Call For More Information