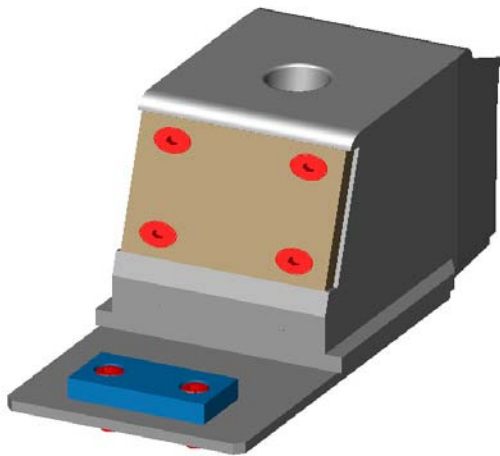
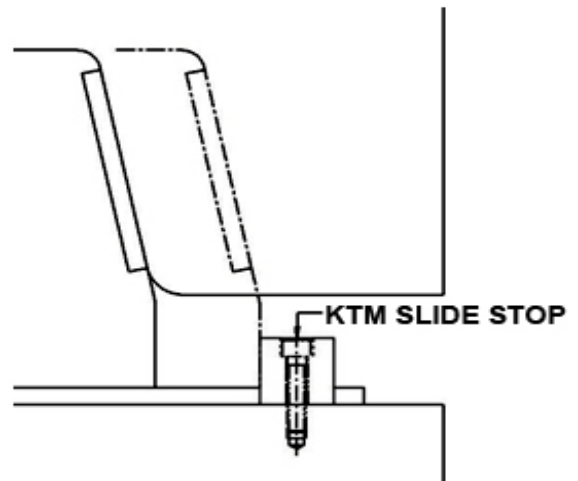
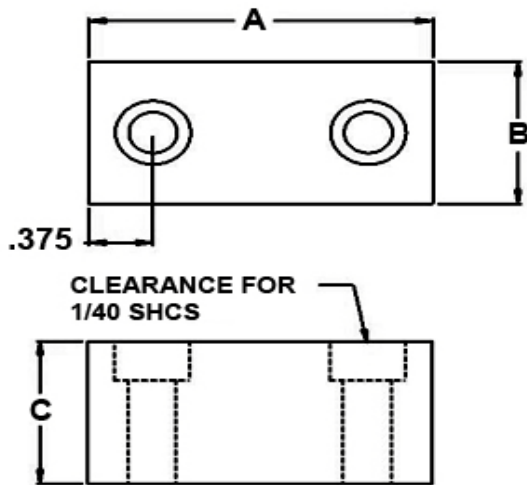


Mould Components

Canadian Head Office: 530 Martin Street Unit 11, Milton, On. Canada L9T 3H6
 Phone: (905) 878-3788 Fax: (905) 878-0900 www.kingstool.com



KTM SLIDE STOPS



Catalog Number	A	B	C
KTM-SLDSTOP-1	38.1MM	19MM	19MM
KTM-SLDSTOP-2	50.8MM	25MM	25MM

Tolerance:
 $\pm 0.010''$ unless otherwise specified