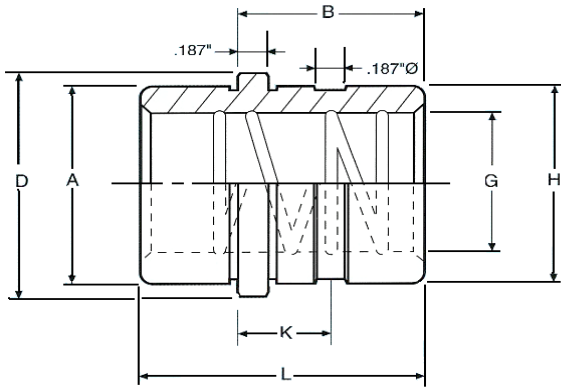


Canadian Head Office: 530 Martin Street Unit 11, Milton, On. Canada L9T 3H6
 Phone: (905) 878-3788 Fax: (905) 878-0900 www.kingstool.com

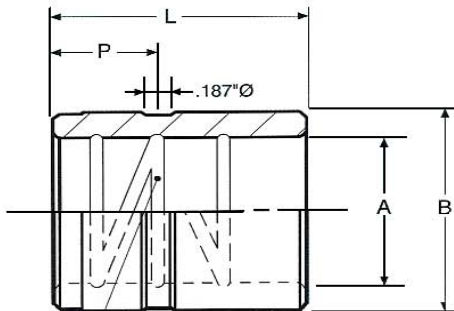
KTM Ejector Guide Aluminum Bronze Bushing



TOLERANCES	
G	(+0.0005)
	(-0.0000)
H	(+0.0005)
	(-0.0000)
A	(+0.000)
	(-0.001)
D	(+0.000)
	(-0.005)
L	(+0.00)
	(-0.03)

Catalog Number	Pin Dia	G	H	A	D	L	B	K
EJG750	0.75"	0.751"	1.1255"	1.1240"	1.302"	1.50"	1.00"	0.56"
EJG100	1.00"	1.001"	1.3755"	1.3740"	1.552"	1.75"	1.12"	0.62"
EJG200	2.00"	2.001"	2.5005"	2.4990"	2.687"	2.25"	1.62"	0.80"

KTM Straight Aluminum Bronze Bushing



TOLERANCES	
A	(+0.0005)
	(-0.0000)
B	(+0.0005)
	(-0.0000)
L	(+0.00)
	(-0.030)

Catalog Number	NOM I.D	A	B	L	P
NSB1.00X1.375	1"	1.0005"	1.3755"	1.375"	0.56"
NSB1.25X1.875	1.250"	1.2505"	1.6255"	1.875"	0.56"
NSB2.0X3.875	2"	2.0005"	2.5005"	3.875"	1.56"