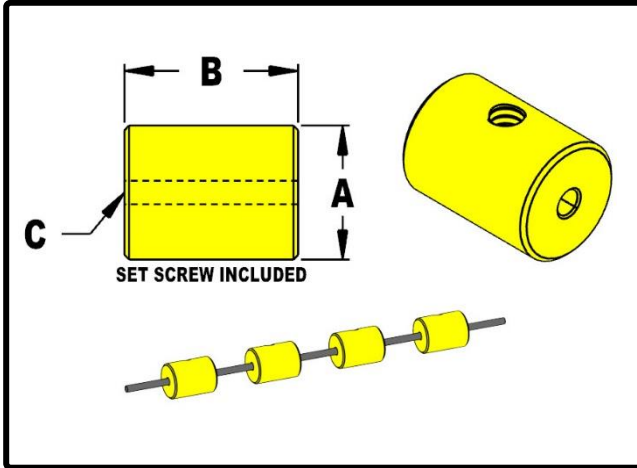


Mould Components

KTM Canada Head Office: 16-342 Bronte St. South, Milton, ON Canada, L9T 5B7
 Phone: (905) 878-3788 Fax: (905) 878-0900 www.kingstool.com

KTM Water Diverters

Material: Solid Brass



Catalogue Name	A	B	C	Notes
WD-1/4	0.432"	0.750"	0.100"	1/4" NPT Water Line
WD2-1/4			0.125"	
WD-3/8	0.557"	0.750"	0.100"	3/8" NPT Water Line
WD2-3/8			0.125"	
WD-3/8B	0.573"	0.750"	0.100"	3/8" NPT Water Line
WD2-3/8B			0.125"	
WD-1/2	0.713"	0.750"	0.100"	1/2" NPT Water Line
WD2-1/2			0.125"	
WD-3/4	0.932"	0.750"	0.100"	3/4" NPT Water Line
WD2-3/4			0.125"	
WD2-3/4B	0.917"	0.750"	0.125"	3/4" NPT Water Line
WD-1			0.250"	

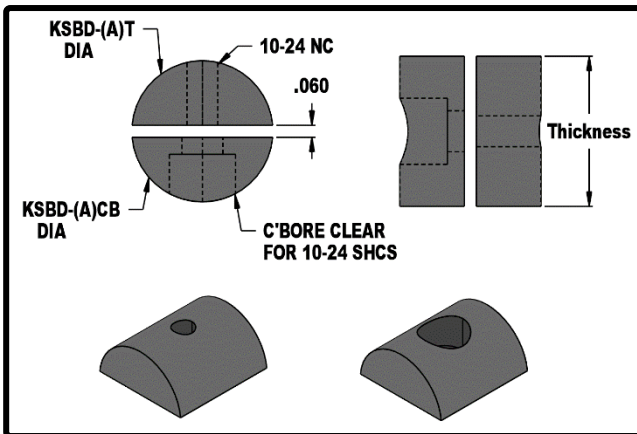
Note:

All Diverters are made of solid brass, with pre-drilled through holes and comes complete with set screw mounted for locking

CUSTOM SIZES AVAILABLE. PLEASE CONTACT KTM

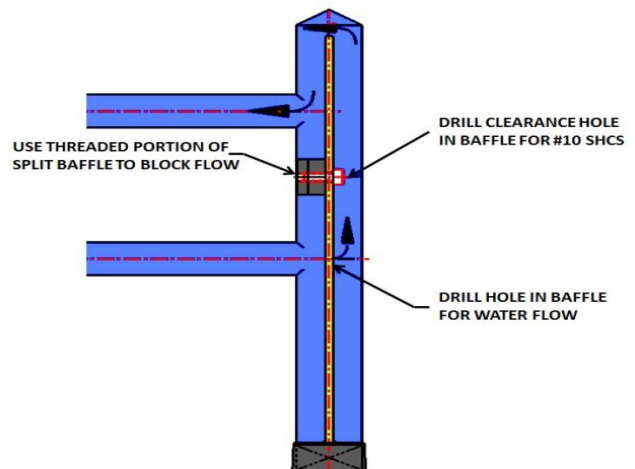
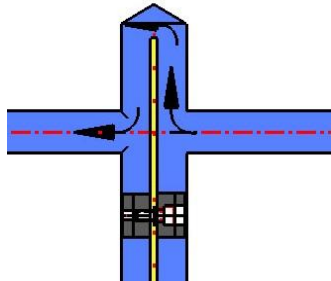
KTM Split Bubbler Diverters

Material: Aluminum



Catalogue Name	(A) WATERLINE	DIA	PART NAME AS SET
KSBD-1/2T	1/2 NPT	0.705"	KSBD-1/2-SET
KSBD-1/2CB			
KSBD-3/4T	3/4 NPT	0.910"	KSBD-3/4-SET
KSBD-3/4CB			
KSBD-1.0T	1.0 NPT	1.156"	KSBD-1.0-SET
KSBD-1.0CB			
KSBD-B-1.0T		1.145"	KSBD-B-1.0-SET
KSBD-B-1.0CB			

Note: Thickness = 0.75"



CUSTOM SIZES AVAILABLE. PLEASE CONTACT KTM