

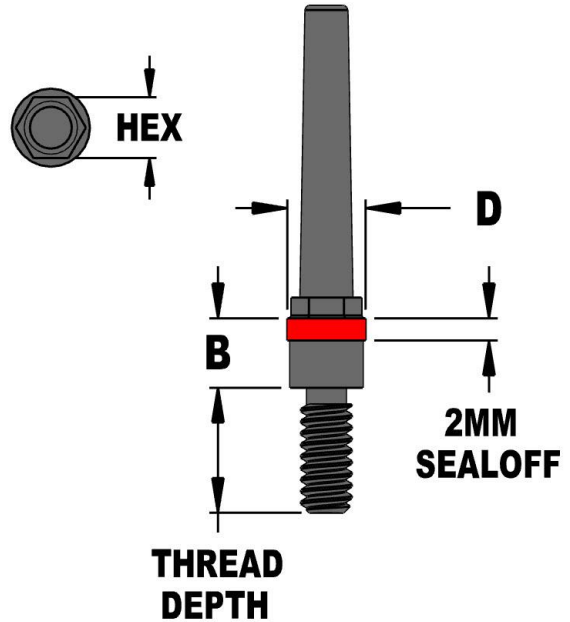
Mould Components

KTM Canada Head Office: 16-342 Bronte St. South, Milton, ON Canada, L9T 5B7
 Phone: (905) 878-3788 Fax: (905) 878-0900 www.kingstool.com

KTM Metric Screw In Core Pin

Material: O1 RC 34-40

Catalogue Name	Thread	Thread Depth	Hex +0.00mm -0.025mm	D +0.00mm -0.015mm	B +0.05mm -0.00mm
SCPM4-	M4x0.7	8mm	4mm	5mm	6.35mm
SCPM5-	M5x0.8	11.43mm	4.5mm	6.35mm	6.35mm
SCPM5A-	M5x0.8	11.43mm	5mm	7mm	6.35mm
SCPM6-	M6x1.0	11.43mm	5mm	8mm	6.35mm



Standard Delivery: 2-3 Weeks depending on quantity

ORDERING USING 3D CAD DATA SAMPLE

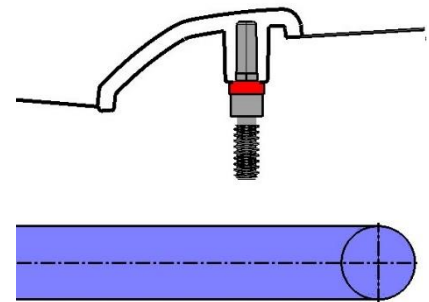
Ordering a Screw in Core Pin with M5x0.8 Thread with a 4.5mm Hex Head made to your 3D Cad file.

Catalogue Name	Your File Name
↓	↓
SCPM5	- CORE INSERT CP#1.STP

Custom Made to your specifications. Delivered and ready to be installed.

Typical Application for Custom KTM SCREW IN CORE PINS:

- Capturing boss details with KTM SCREW IN CORE PINS saves time and allows for easy replacement of details in potential wearing locations
- Use KTM SCREW IN CORE Pin in place of Core Pins when there are obstruction such as water lines and lifter rods



KTM SCREW IN CORE PINS CAN BE CUSTOMIZED TO YOUR SPECIFICATIONS, SEND US YOUR 3D FILES WITH MATERIAL SPECIFICATIONS

Custom Installation tooling can be supplied by KTM. Please Contact KTM for Further Details