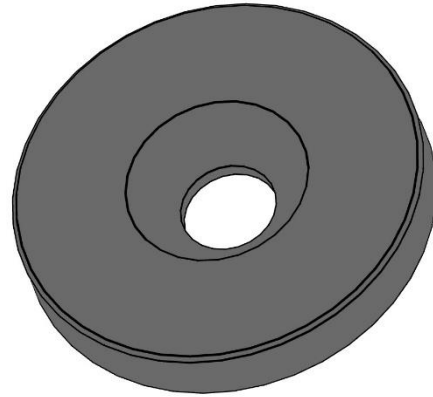
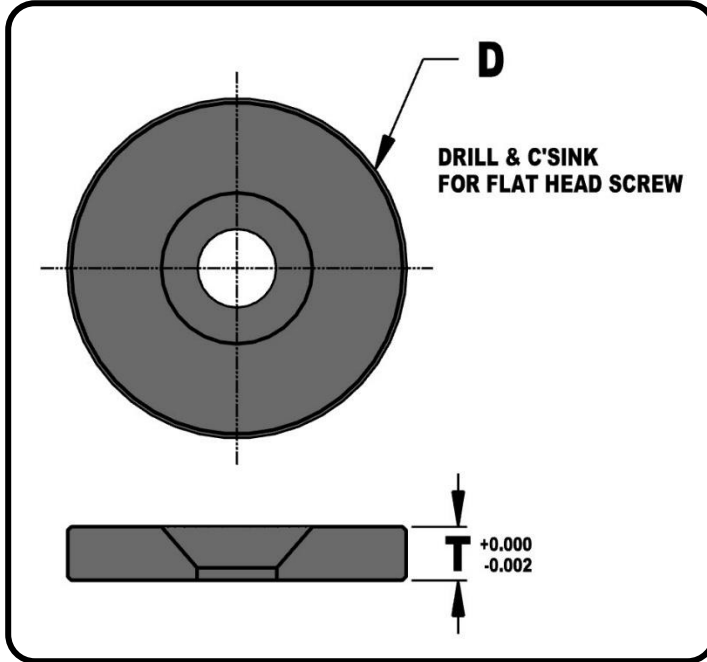


# Mould Components

KTM Canada Head Office: 16-342 Bronte St. South, Milton, ON Canada, L9T 5B7  
 Phone: (905) 878-3788 Fax: (905) 878-0900 www.kingstool.com

## KTM Shoulder Plates



Catalogue Name	D Dia.	T	Countersunk Screw Size
KSP-06	1.00"	3/16"	1/4"
KSP-08	1.1875"	3/16"	1/4"

**CONTACT KTM FOR 3D FILE AND FOR MORE INFORMATION**