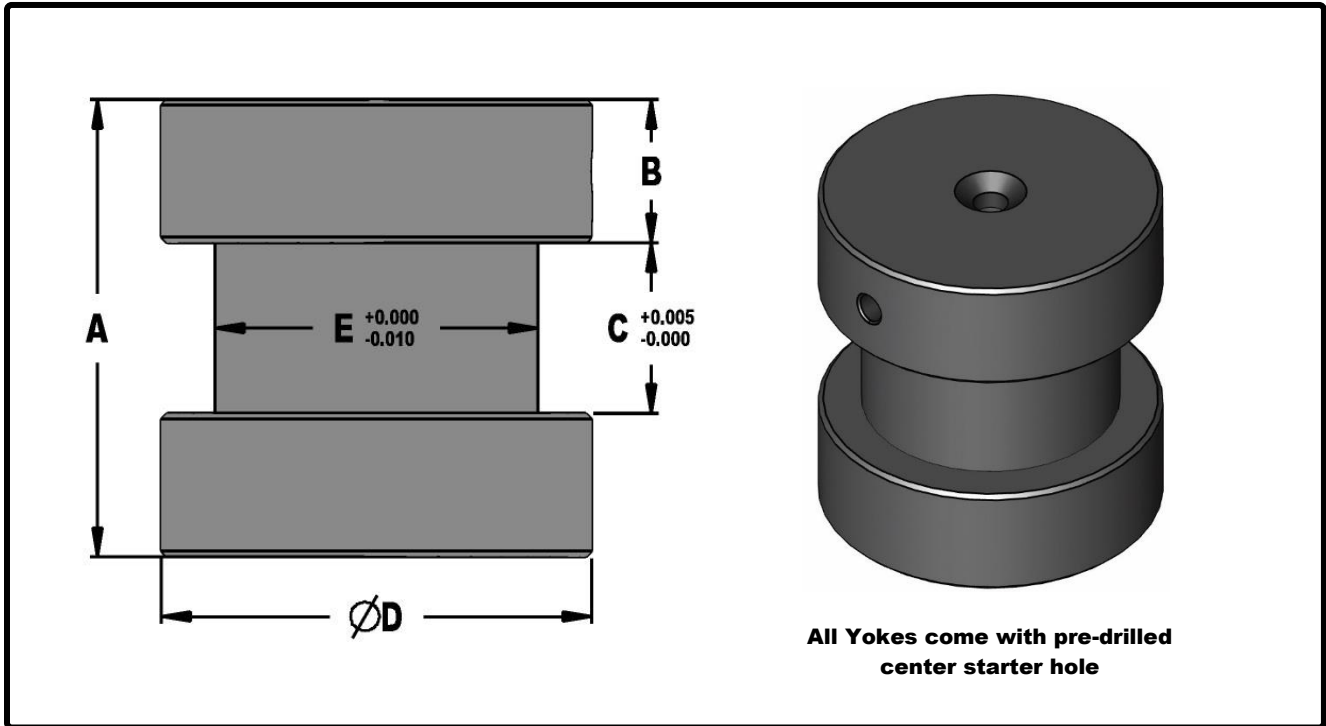


# Mould Components

KTM Canada Head Office: 16-342 Bronte St. South, Milton, ON Canada, L9T 5B7  
 Phone: (905) 878-3788 Fax: (905) 878-0900 www.kingstool.com

## KTM Hydraulic Yokes

Material: CRS



**Note: All tolerances +/-0.010" unless otherwise noted**

| Catalogue Name    | A     | B     | C     | D     | E     |
|-------------------|-------|-------|-------|-------|-------|
| <b>KTM YOKE-A</b> | 1.750 | 0.500 | 0.750 | 2.250 | 1.500 |
| <b>KTM YOKE-B</b> | 2.500 | 0.875 | 0.750 | 3.000 | 2.250 |
| <b>KTM YOKE-C</b> | 3.188 | 1.000 | 1.188 | 3.000 | 2.250 |

**Allows for easy access to assemble & disassemble hydraulic cylinders from plates**

