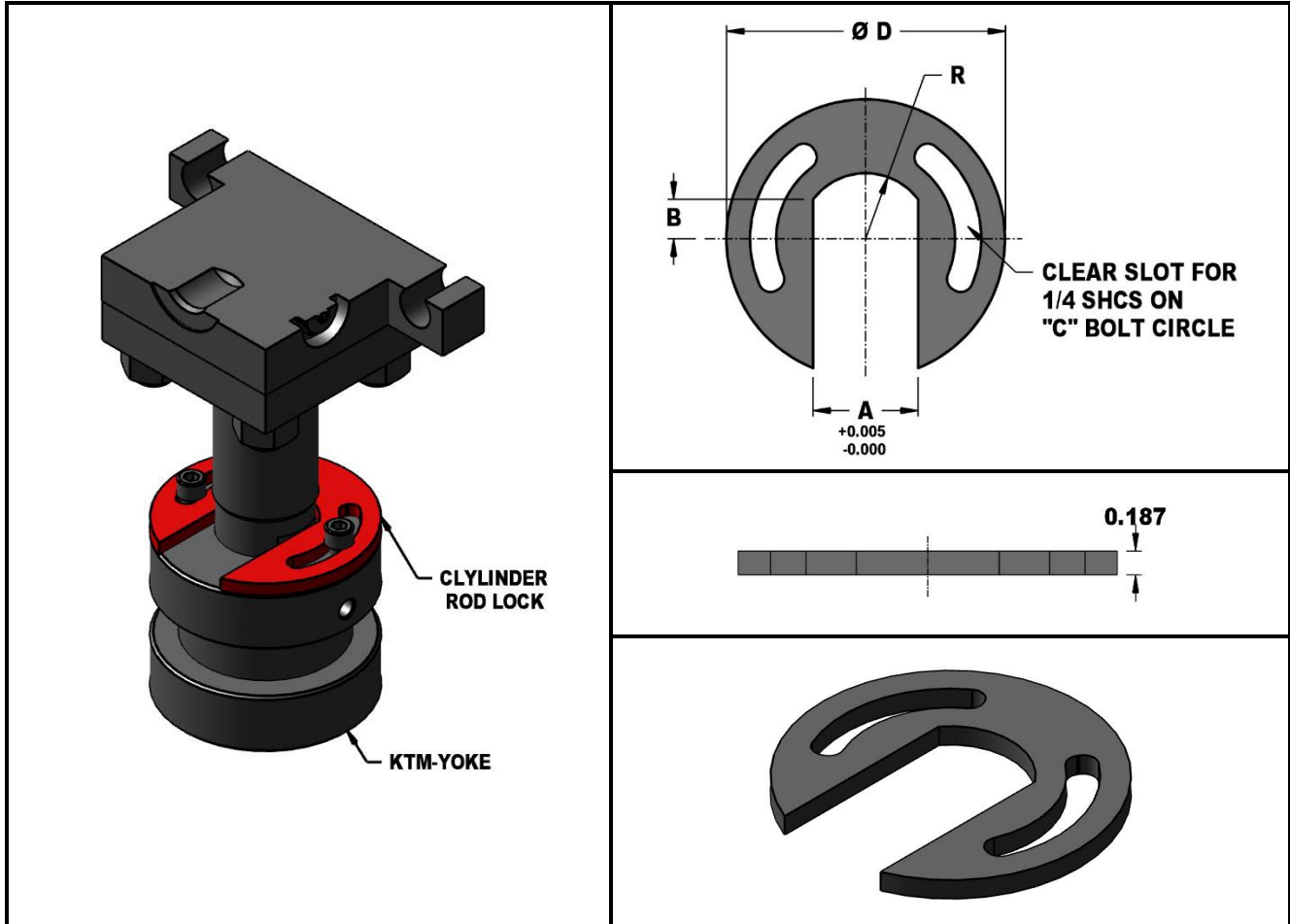


# Mould Components

KTM Canada Head Office: 16-342 Bronte St. South, Milton, ON Canada, L9T 5B7  
 Phone: (905) 878-3788 Fax: (905) 878-0900 www.kingstool.com

## KTM Cylinder Rod Lock

Material: CRS



Catalogue Name	A	B	D	R	C	Suited For Parker Rod Diameter	Yoke Compatibility
<b>KTM-CYLRODLOC-100</b>	0.880"	0.277"	2.500"	0.520"	2.000"	1.000"	
<b>KTM-CYLRODLOC-137</b>	1.130"	0.425"	3.000"	0.707"	2.208"	1.375"	KTM-Yoke B & C
<b>KTM-CYLRODLOC-175</b>	1.500"	0.488"	3.370"	0.895"	2.641"	1.750"	

**CONTACT KTM TO REQUEST FOR 3D FILES AND TO ADD CUSTOMER SIZES TO KTM CATALOGUE**