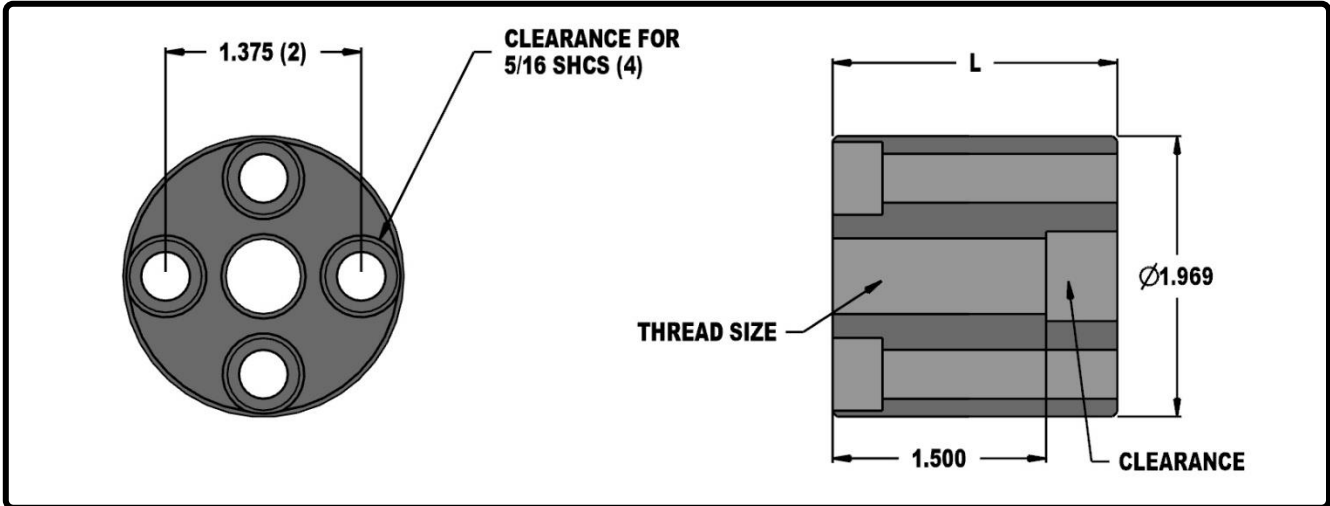


Mould Components

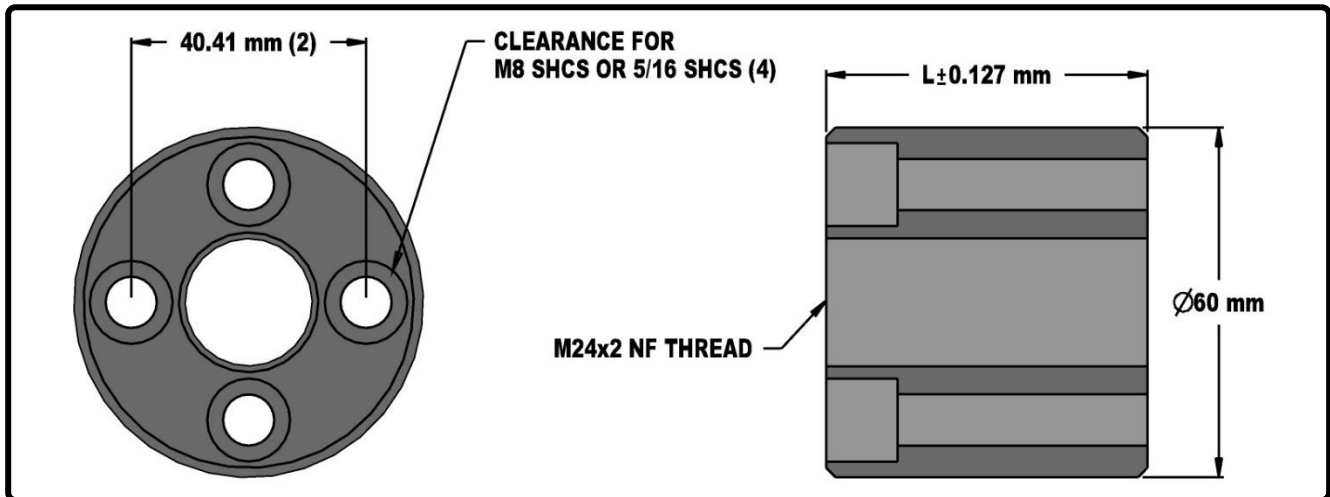
KTM Canada Head Office: 16-342 Bronte St. South, Milton, ON Canada, L9T 5B7
 Phone: (905) 878-3788 Fax: (905) 878-0900 www.kingstool.com

KTM Knockout Rod Extension

Material: Shaft



Catalogue Name	L	Thread Size
KPKP6L2	2.000"	5/8" NC
KPKP75L2	2.000"	3/4" NC
KPKP6L2.625	2.625"	5/8" NC
KPK75L2.625	2.625"	3/4" NC



Catalogue Name	L
M&H-KOext-1	45.263 mm
M&H-KOext-2	55.270 mm

CUSTOM KNOCKOUT ROD EXTENSIONS

PLEASE CONTACT US WITH YOUR CUSTOM KNOCKOUT ROD EXTENSION SIZES AND
 KTM WILL PREMANUFACTURE AND STOCK FOR YOUR FUTURE ORDERING NEEDS