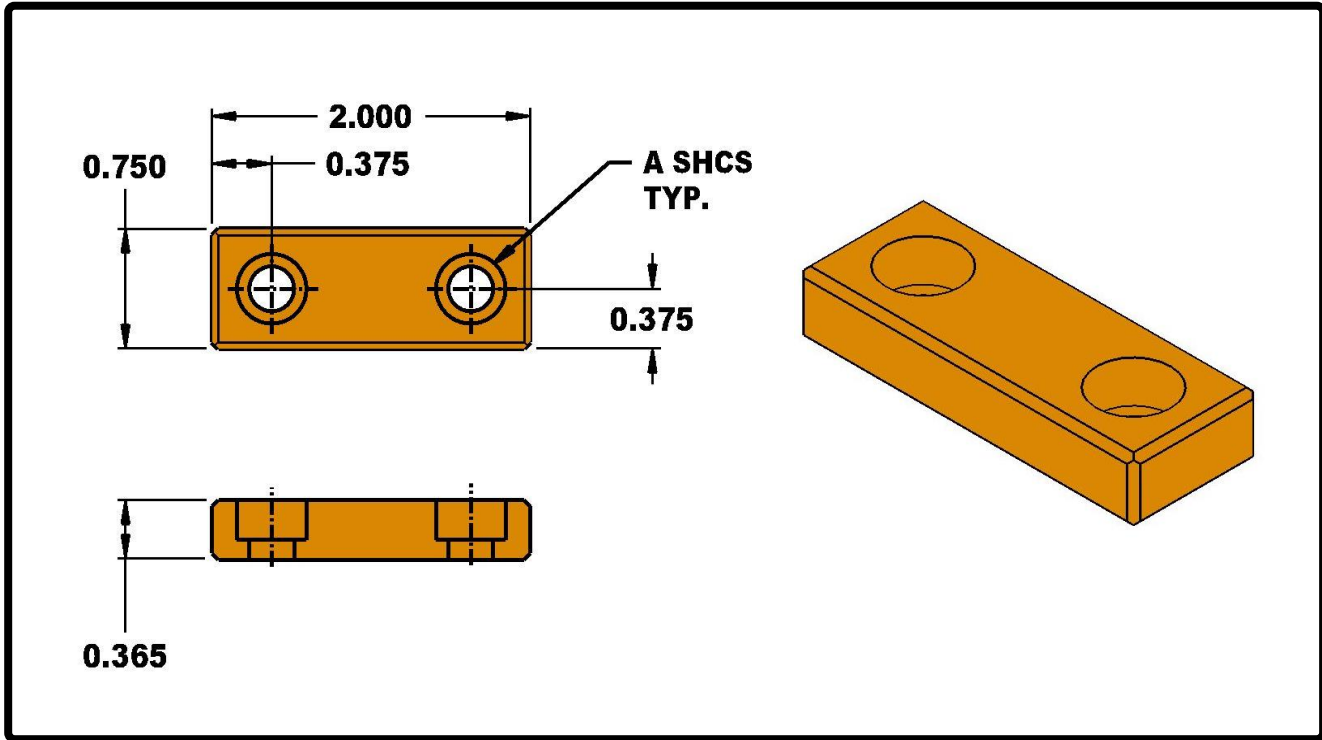


Mould Components

KTM Canada Head Office: 16-342 Bronte St. South, Milton, ON Canada, L9T 5B7
 Phone: (905) 878-3788 Fax: (905) 878-0900 www.kingstool.com

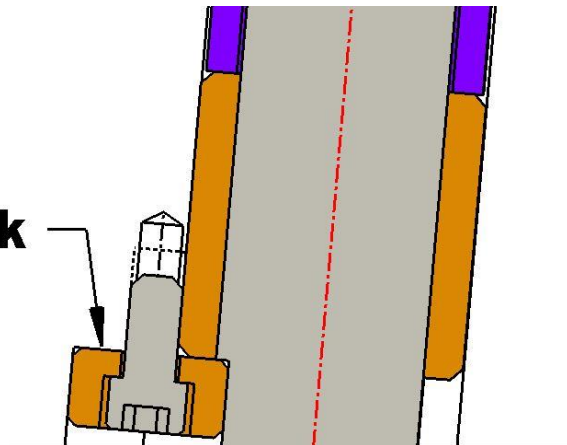
KTM Lifter Rod Lock

Material: Aluminum Bronze



Catalogue Name	A SHCS
KTM-LRL-1	1/4-20 NC M6x1 NC

Lifter Rod Lock



CONTACT KTM TO REQUEST TO ADD CUSTOM LIFTER ROD LOCK SIZES TO KTM CATALOGUE