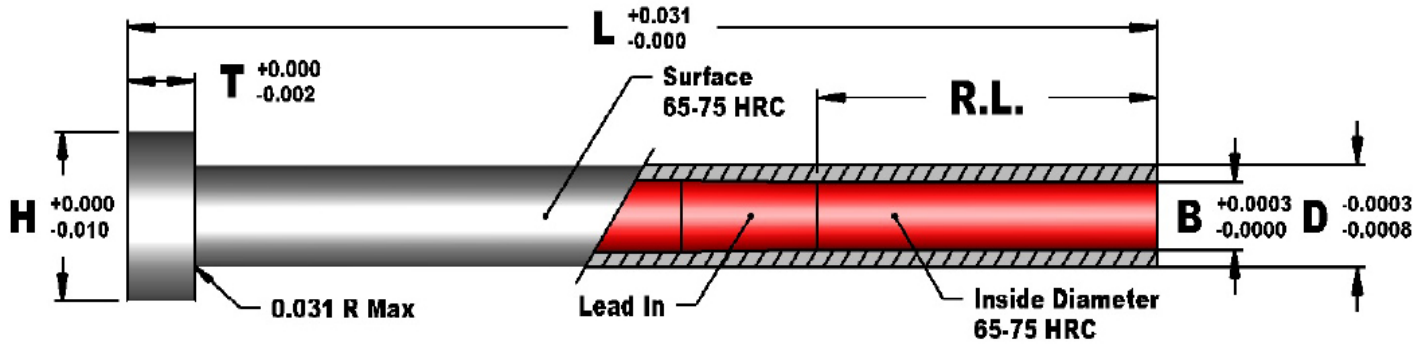


# Mold Component

KTM Canada Head Office: 16-342 Bronte Street South, Milton Ontario, L9T 5B7  
 Phone: (905) 878-3788 Fax: (905) 878-0900 www.kingstool.com

## KTM NITRIDED SLEEVES

Material: (1.2344, H13, SKD61)



Catalogue Name	B	D	H	T	(L) Length
EJS093	3/32	3/16	0.375	0.187	Standard & Custom Lengths Available
EJS125	1/8	7/32	0.406	0.187	
EJS156	5/32	1/4	0.437	0.187	
EJS187	3/16	5/16	0.500	0.250	
EJS203	7/32	11/32	0.562	0.250	
EJS250	1/4	3/8	0.625	0.250	
EJS312	5/16	7/16	0.687	0.250	
EJS375	3/8	1/2	0.750	0.250	
EJS437	7/16	5/8	0.875	0.250	
EJS500	1/2	11/16	0.937	0.250	
EJS562	9/16	3/4	1.000	0.250	
EJS625	5/8	7/8	1.125	0.250	
EJP750	3/4	1"	1.250	0.250	

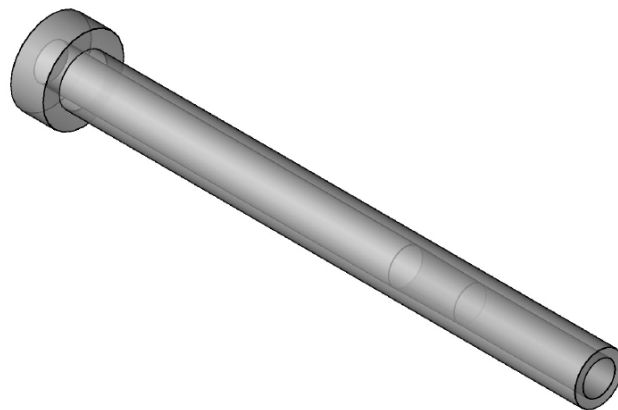
**Sample Ordering Format:**

To order a 1/2" I.D Ejector Pin Sleeve in 6" inches length:

Catalogue Name	(L) Length
↓	↓
<b>EJS500</b>	<b>6</b>

**Notes For R.L.**

Standard Bearing Ream Length  
 ID 0.25" and Smaller = 1.75"  
 ID Greater Than 0.25" = 2"  
 Can be customized



**CONTACT KTM FOR METRIC OR CUSTOM NITRIDED SLEEVES**