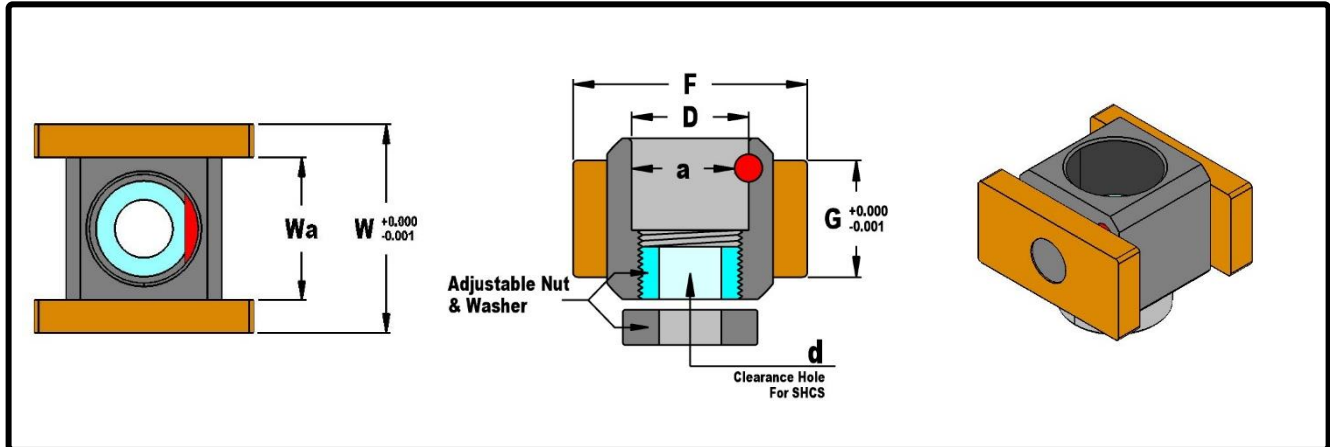


Mould Components

KTM Canada Head Office: 16-342 Bronte St. South, Milton, ON Canada, L9T 5B7
 Phone: (905) 878-3788 Fax: (905) 878-0900 www.kingstool.com

KTM TY Slider Swivel for KLCA TY Lifter Carriage Assembly

Material: 4140, Graphite Impregnated Aluminum Bronze, Aluminum Bronze



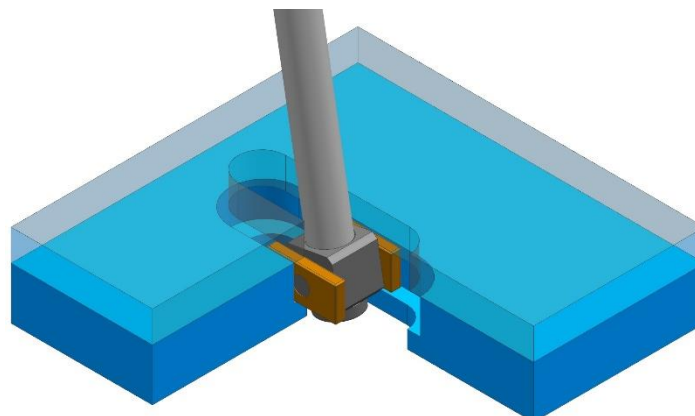
Imperial (Inch)							
Catalogue Name	D	a	d	W	Wa	F	G
75-AB-Swivel-TY	0.750"	0.630"	5/16 SHCS	1.802"	1.203"	1.8"	1.000"
75B-AB-Swivel-TY			3/8 SHCS				
100-AB-Swivel-TY	1.000"	0.880"	1/2 SHCS	1.902"	1.303"	2.0"	1.000"
125-AB-Swivel-TY	1.250"	1.125"	1/2 SHCS	2.200"	1.400"	2.4"	1.200"
150-AB-Swivel-TY	1.500"	1.350"	5/8 SHCS	2.750"	1.950"	3.2"	1.500"

Metric (mm)							
Catalogue Name	D	a	d	W	Wa	F	G
M20-AB-Swivel-TY	20mm	17mm	M10 SHCS	43mm	28mm	45mm	24mm
M25-AB-Swivel-TY	25mm	22mm	M12 SHCS	48mm	33mm	50mm	26mm
M30-AB-Swivel-TY	30mm	27mm	M12 SHCS	55mm	38mm	60mm	30mm
M35-AB-Swivel-TY	35mm	31mm	M12 SHCS	64mm	44mm	70mm	34mm
M40-AB-Swivel-TY	40mm	36mm	M16 SHCS	70mm	50mm	80mm	38mm

For Graphite Impregnated Aluminum Bronze, add G between AB and Swivel in the catalogue name.

Example: 75-AB-G-Swivel-TY

Features:



KTM TY Slider Swivel conveniently sits between ejection and retainer plates and allows free adjustment to align with Lifter Rod.

CONTACT KTM TO REQUEST FOR 3D FILES OR FOR CUSTOM LIFTER CARRIAGE ANGLES