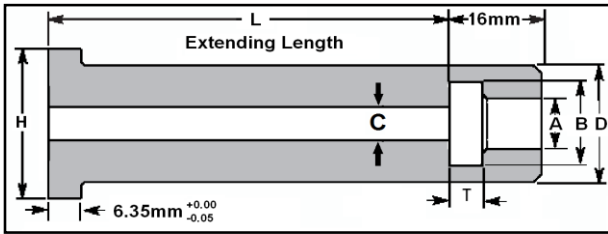


KTM CUSTOM DIN METRIC SLEEVE EXTENSIONS

ALL EXTENSIONS & DIMENSIONS CAN BE CUSTOMIZED AND TAILOR MADE TO YOUR SPECIFICATION AND DESIGN NEEDS

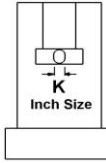
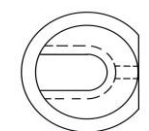
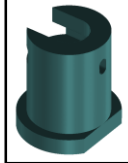


ORDERING FORMATE

Catalog No. Optional Locking System

RKTMDINSE ** - L - DL

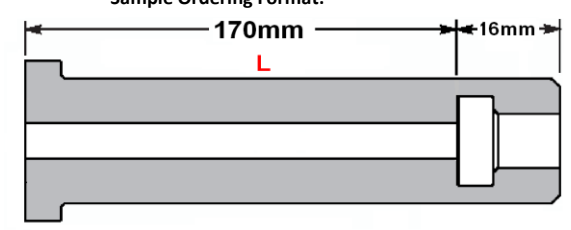
Indicate Extending Length

All Extensions can come with an optional Double Locking System.
 Slot for Spring Pin to Lock Pin in place.
 D Lock on head of extension to lock extension in plate.
 Locking System can be Customized

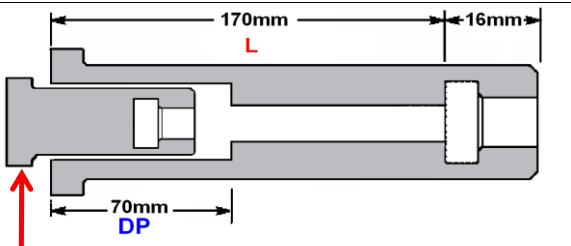
Sleeve Size To Be Extended		KTM SLEEVE EXTENSION CAT NO.	L	Optional Locking System	KTM DIN Sleeve Extension Spec Metric Sizes						K Inch Size	Pairing KTM DIN Pin Extension
Sleeve OD	Sleeve ID				D	A	B	T	C	H		
				(+0.000)	(+0.127)	(+0.127)	(+0.05)	(+0.762)	(+0.000)			
				(-0.000)	(-0.000)	(-0.000)	(-0.00)	(-0.254)				
3	1.5	RKTMDINSE03A-	L	Opt. DL	12	3.13	6.3	3.03	2	18	0.067	RKTMDINPE015-
3	1.6	RKTMDINSE03B-	L	Opt. DL	12	3.13	6.3	3.03	2	18	0.067	RKTMDINPE016-
3	1.7	RKTMDINSE03C-	L	Opt. DL	12	3.13	6.3	3.03	2	18	0.067	RKTMDINPE017-
4	2.0	RKTMDINSE04A-	L	Opt. DL	16	4.13	8.3	3.03	2.5	22	0.067	RKTMDINPE020-
4	2.2	RKTMDINSE04B-	L	Opt. DL	16	4.13	8.3	3.03	2.5	22	0.067	RKTMDINPE022-
4	2.5	RKTMDINSE04C-	L	Opt. DL	16	4.13	8.3	3.03	3	22	0.067	RKTMDINPE025-
5	2.5	RKTMDINSE05A-	L	Opt. DL	18	5.13	10.3	3.03	3.5	24	0.067	RKTMDINPE027-
5	2.7	RKTMDINSE05A-	L	Opt. DL	18	5.13	10.3	3.03	3.5	24	0.067	RKTMDINPE030-
5	3.0	RKTMDINSE05A-	L	Opt. DL	18	5.13	10.3	3.03	3.5	24	0.067	RKTMDINPE032-
6	3.0	RKTMDINSE06F-	L	Opt. DL	18	6.13	12.3	5.03	3.5	24	0.130	RKTMDINPE035-
5	3.2	RKTMDINSE05B-	L	Opt. DL	18	5.13	10.3	3.03	3.5	24	0.067	RKTMDINPE037-
6	3.5	RKTMDINSE06A-	L	Opt. DL	18	6.13	12.3	5.03	4	24	0.130	RKTMDINPE040-
6	3.7	RKTMDINSE06B-	L	Opt. DL	18	6.13	12.3	5.03	4	24	0.130	RKTMDINPE042-
6	4.0	RKTMDINSE06C-	L	Opt. DL	20	6.13	12.3	5.03	4.5	26	0.130	RKTMDINPE044-
8	4.0	RKTMDINSE08A-	L	Opt. DL	20	8.13	14.3	5.03	4.5	26	0.130	RKTMDINPE045-
6	4.2	RKTMDINSE06D-	L	Opt. DL	20	6.13	12.3	5.03	4.5	26	0.130	RKTMDINPE050-
8	4.2	RKTMDINSE08B-	L	Opt. DL	20	8.13	14.3	5.03	4.5	26	0.130	RKTMDINPE052-
6	4.5	RKTMDINSE06E-	L	Opt. DL	20	6.13	12.3	5.03	5	26	0.130	RKTMDINPE055-
8	4.5	RKTMDINSE08C-	L	Opt. DL	20	8.13	14.3	5.03	5	26	0.130	RKTMDINPE060-
8	5.0	RKTMDINSE08D-	L	Opt. DL	20	8.13	14.3	5.03	5.5	26	0.130	RKTMDINPE062-
8	5.2	RKTMDINSE08E-	L	Opt. DL	20	8.13	14.3	5.03	5.5	26	0.130	RKTMDINPE065-
8	5.5	RKTMDINSE08F-	L	Opt. DL	20	8.13	14.3	5.03	6	26	0.130	RKTMDINPE080-
10	6.0	RKTMDINSE10A-	L	Opt. DL	24	10.1	16.3	5.03	6.5	30	0.130	RKTMDINPE082-
10	6.2	RKTMDINSE10B-	L	Opt. DL	24	10.1	16.3	5.03	6.5	30	0.130	RKTMDINPE085-
10	6.5	RKTMDINSE10C-	L	Opt. DL	24	10.1	16.3	5.03	7	30	0.130	RKTMDINPE100-
12	8.0	RKTMDINSE12A-	L	Opt. DL	26	12.1	20.3	7.03	8.5	32	0.130	RKTMDINPE102-
12	8.2	RKTMDINSE12B-	L	Opt. DL	26	12.1	20.3	7.03	8.5	32	0.130	RKTMDINPE105-
12	8.5	RKTMDINSE12C-	L	Opt. DL	26	12.1	20.3	7.03	9	32	0.130	RKTMDINPE110-
14	10.0	RKTMDINSE14A-	L	Opt. DL	30	14.1	22.3	7.03	10.5	36	0.130	RKTMDINPE120-
14	10.2	RKTMDINSE14B-	L	Opt. DL	30	14.1	22.3	7.03	10.5	36	0.130	RKTMDINPE125-
14	10.5	RKTMDINSE14C-	L	Opt. DL	30	14.1	22.3	7.03	11	36	0.130	RKTMDINPE140-
14	11.0	RKTMDINSE14D-	L	Opt. DL	30	14.1	22.3	7.03	11.5	36	0.130	RKTMDINPE160-
16	12.0	RKTMDINSE16A-	L	Opt. DL	30	16.1	22.3	7.03	12.5	36	0.130	RKTMDINPE180-
16	12.5	RKTMDINSE16B-	L	Opt. DL	30	16.1	22.3	7.03	13	36	0.130	
18	14.0	RKTMDINSE18A-	L	Opt. DL	32	18.1	24.3	9.03	14.5	38	0.130	
20	14.0	RKTMDINSE20A-	L	Opt. DL	34	20.1	26.3	8.03	14.5	40	0.130	
20	16.0	RKTMDINSE20B-	L	Opt. DL	34	20.1	26.3	9.03	16.5	40	0.130	
22	18.0	RKTMDINSE22-	L	Opt. DL	36	22.1	28.3	9.03	18.5	42	0.130	

Sample Ordering Format:



Extending a 12mm OD Sleeve by 170mm
 Call Out: RKTMDINSE12A - 170

Extending a 12mm OD Sleeve by 170mm with Double Lock System
 Call Out: RKTMDINSE12A - 170 - DL



CUSTOM KTM PIN EXTENSION

For COUNTER BORE in Sleeve Extension see KTM's RCBKTM DINSE series

Contact info@kingstool.com For Further Information.
 KTM Office: (905) 878-3788 Fax: (905) 878-0900 www.kingstool.com



KTM CUSTOM DIN METRIC SLEEVE EXTENSIONS

Allow 2 1/2 Weeks for Custom Orders. Rush Delivery Available

PG12 Rev-2015