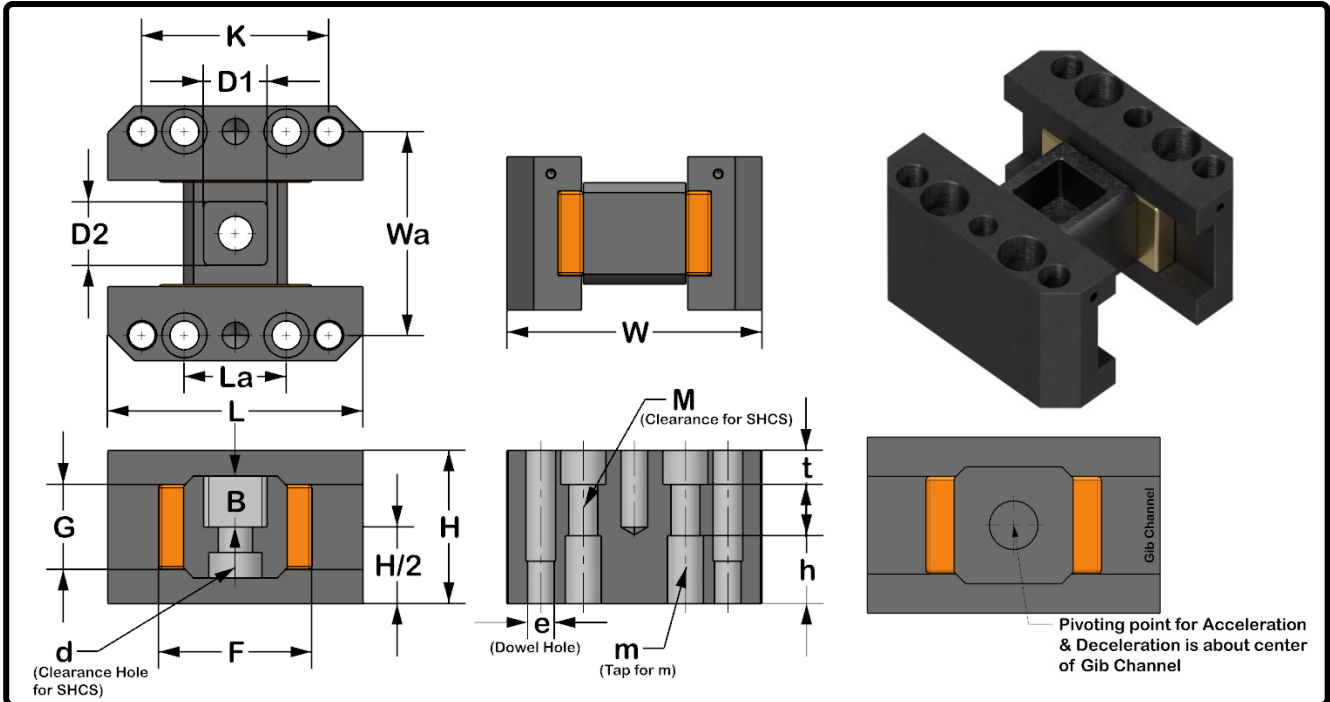


# Mold Components

KTM Canada Head Office: 16-342 Bronte St. South, Milton, ON Canada, L9T 5B7  
 Phone: (905) 878-3788 Fax: (905) 878-0900 Email: Info@kingstool.com Website: www.kingstool.com

## KTM Uni-Lifter Series Lifter Carriage Assembly

Material: S45C, 4140, Aluminum Bronze



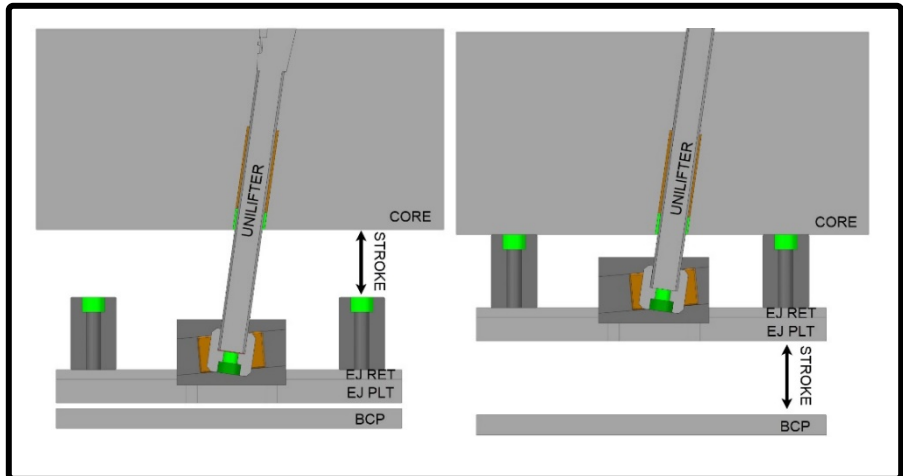
Imperial (Inch)		D1	D2	B	W	Wa	L	La	K	H	h	F	G	d	t	M	m	e
75	KLCA-UL-XXX	0.750"	0.750"	0.6"	3.0"	2.400"	3.0"	1.20"	2.2"	1.8"	0.8"	1.8"	1.00"	3/8 SHCS	0.40"	5/16 SHCS	1/2-13" NC	5/16"
100	KLCA-UL-XXX	1.000"	1.000"	0.6"	3.2"	2.500"	3.4"	1.50"	2.5"	1.8"	0.8"	2.0"	1.00"	1/2 SHCS	0.40"	5/16 SHCS	1/2-13" NC	5/16"

Accel & Decel Order Format	Equivalent
75 KLCA-UL-005	0.5 Degree
75 KLCA-UL-05	5 Degree
75 KLCA-UL-055	5.5 Degree
75 KLCA-UL-10	10 Degree

Contact KTM for angles above 10 Degree

**Note:**

- For Graphite Impregnated Aluminum Bronze, add G in front of the catalogue name.  
 Example: 75 GKLCA-UL-01



**CONTACT KTM TO REQUEST FOR 3D FILES OR FOR CUSTOM LIFTER CARRIAGE ANGLES**  
**CONTACT KTM TO REQUEST FOR CUSTOMIZATION OF LIFTER CARRIAGE ASSEMBLIES**