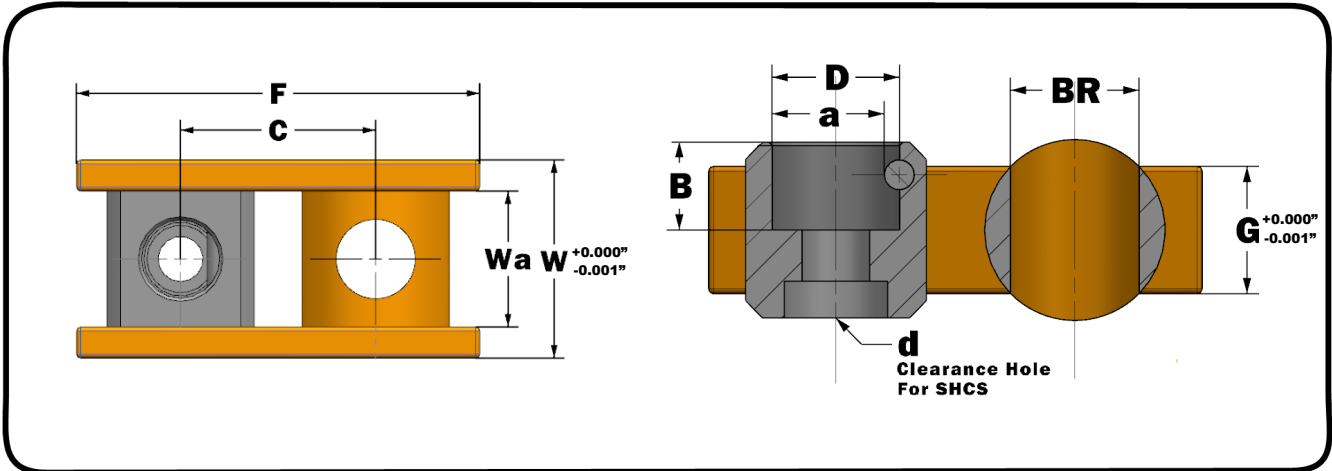


Mold Components

KTM Canada Head Office: 16-342 Bronte St. South, Milton, ON Canada, L9T 5B7
 Phone: (905) 878-3788 Fax: (905) 878-0900 Email: Info@kingstool.com Website: www.kingstool.com

KTM FX Buddy Rod Swivel Assembly

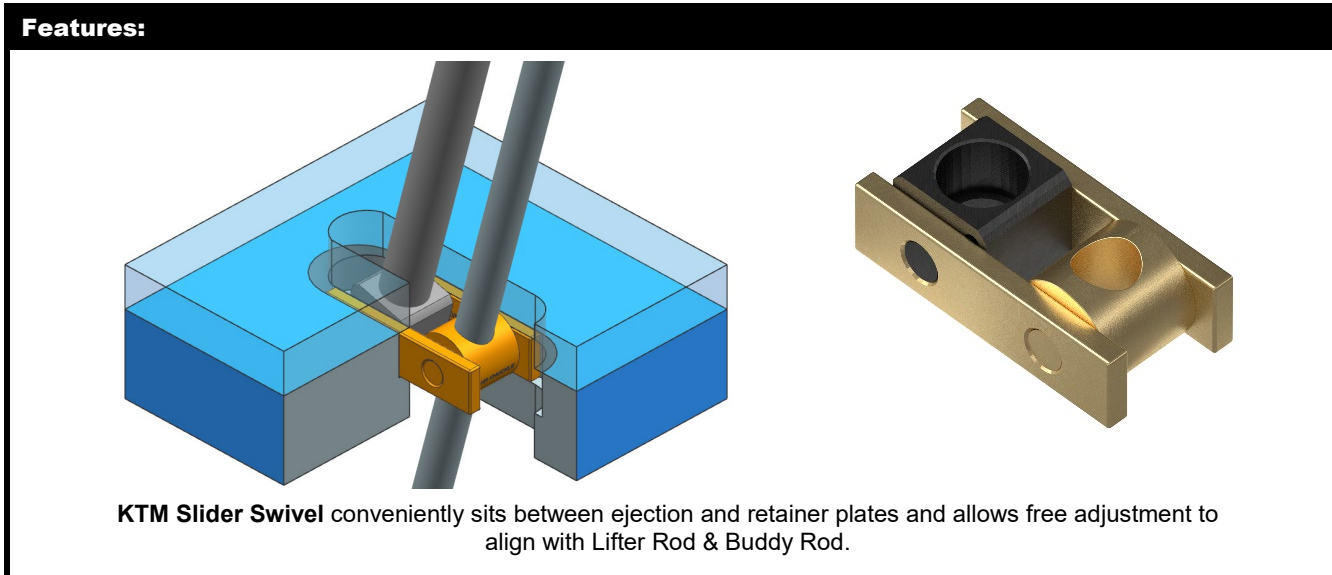
Material: 4140, Aluminum Bronze



Imperial (Inch)										
Catalogue Name	D	a	BR	B	d	C	W	Wa	F	G
75-BR-AB-Swivel-FX ASM	0.750"	0.630"	0.760"	.780"	3/8 SHCS	1.875"	1.902"	1.303"	3.875"	1.000"
100-BR-AB-Swivel-FX ASM	1.000"	0.880"	1.010"	.689"	1/2 SHCS	1.875"	1.902"	1.303"	3.875"	1.000"

Metric (mm)										
Catalogue Name	D	a	BR	B	d	C	W	Wa	F	G
M20-BR-AB-Swivel-FX ASM	20mm	17mm	20.3mm	20mm	M10 SHCS	47.63mm	48.3mm	33.1mm	98.43mm	25.4mm
M25-BR-AB-Swivel-FX ASM	25mm	22mm	25.3mm	23.85mm	M12 SHCS	47.63mm	48.3mm	33.1mm	98.43mm	25.4mm

For Graphite Impregnated Aluminum Bronze, add G between AB and Swivel in the catalogue name.
 Example: 75-BR-AB-G-Swivel-FX ASM



CONTACT KTM TO REQUEST FOR 3D FILES OR FOR CUSTOM LIFTER CARRIAGE ANGLES