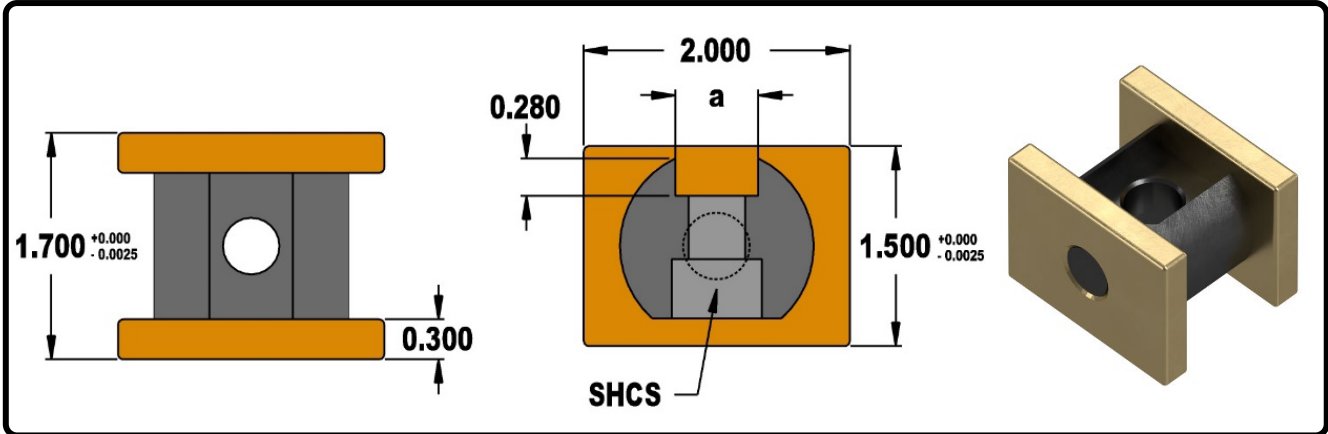


Mold Components

KTM Canada Head Office: 16-342 Bronte St. South, Milton, ON Canada, L9T 5B7
 Phone: (905) 878-3788 Fax: (905) 878-0900 Email: Info@kingstool.com Website: www.kingstool.com

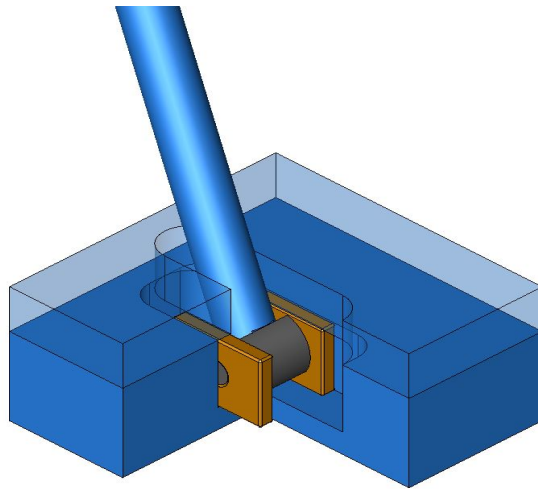
KTM Adjustable Fixed Lifter Feet

Material: Aluminum Bronze, 4140



Catalogue Name	For Lifter Rod size		a (Imperial)	a (Metric)	For SHCS (Imperial)	For SHCS (Metric)
KTM-AFLF75M20	0.75"	20 mm	0.625"	15.8 mm	3/8 SHCS	M10 SHCS
KTM-AFLF100M25	1.00"	25 mm	0.875"	22.2 mm	1/2 SHCS	M12 SHCS

Features:



KTM Adjustable Fixed Lifter Feet conveniently sits between ejection and retainer plates and allows free adjustment to align with Lifter Rod.

REDUCE COST MANUFACTURING SOLUTION
CONTACT KTM TO REQUEST FOR MORE INFORMATION AND 3D FILES