

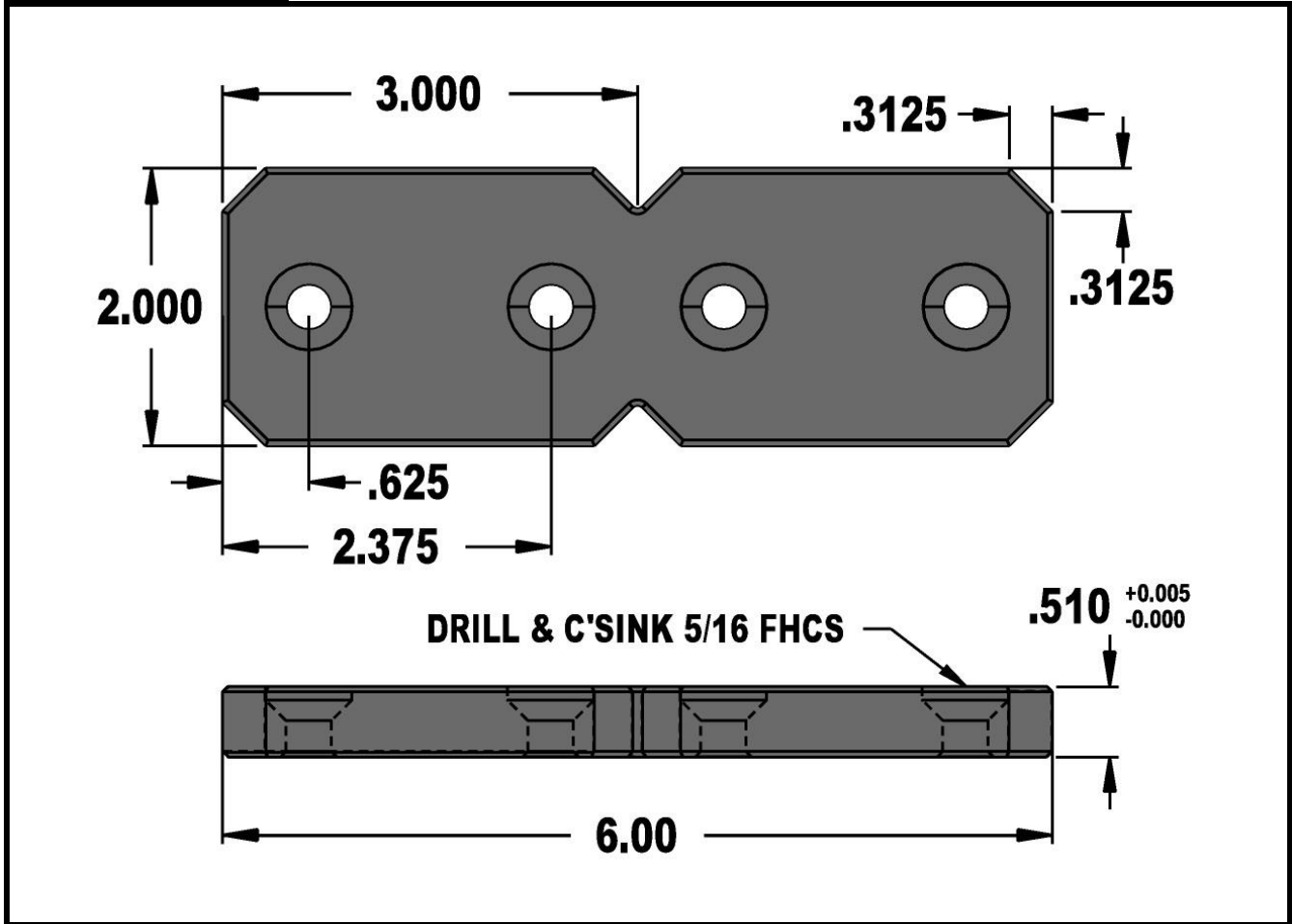
# Mould Components

KTM Canada Head Office: 16-342 Bronte St. South, Milton, ON Canada, L9T 5B7  
 Phone: (905) 878-3788 Fax: (905) 878-0900 www.kingstool.com

## KTM Pressure Pads

**Material:** O1 Harden RC 50-55

**KTM-PP-2.00x6**



**Finishes: Two Sides Pre-Ground  
 Finished**

**All Pads have prescribed split for  
 easy conversion to 3" length**



**Custom Pressure Pads Available; Tailor Made To Your Specification.  
 Call for More Information**