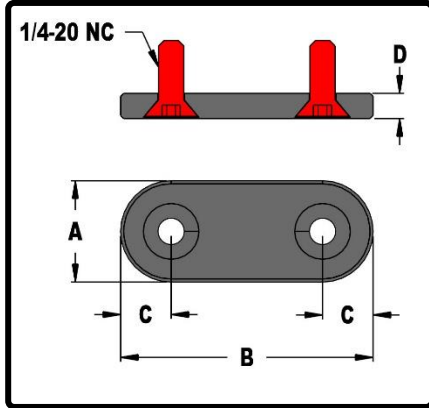


Mold Components

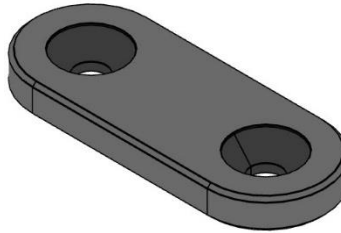
KTM Canada Head Office: 16-342 Bronte St. South, Milton, ON Canada, L9T 5B7
 Phone: (905) 878-3788 Fax: (905) 878-0900 Email: Info@kingstool.com Website: www.kingstool.com

KTM Core Pin Back Plate/Wire Channel Cover Plates

Material: CRS

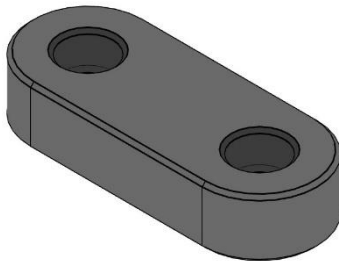


Catalogue Name	Description	A	B	C	D
PBP-75x175	0.75" x 1.75" for Two 1/4-20 NC Screw	0.75"	1.75"	0.375"	0.25"
PBP-1x2.50	1.00" x 2.50" for Two 1/4-20 NC Screw	1.00"	2.50"	0.50"	0.25"
PBP-1x2.75	1.00" x 2.75" for Two 1/4-20 NC Screw	1.00"	2.75"	0.50"	0.25"
PBP-1x3.25	1.00" x 3.25" for Two 1/4-20 NC Screw	1.00"	3.25"	0.50"	0.25"
PBP-1x3.75	1.00" x 3.75" for Two 1/4-20 NC Screw	1.00"	3.75"	0.50"	0.25"

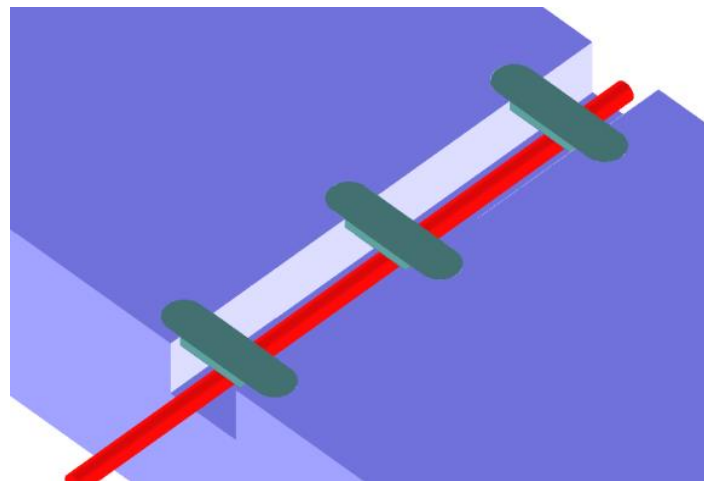
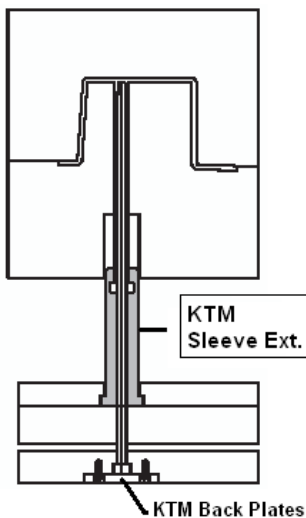
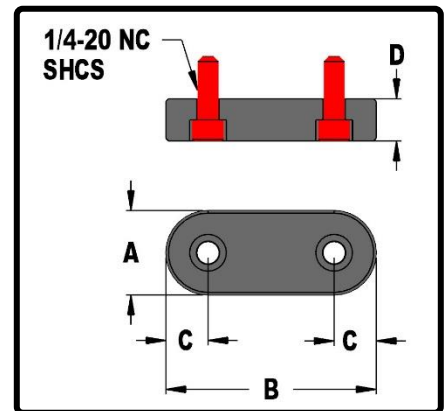


Tolerance:
 ±0.010" unless otherwise specified.
 0.00/-0.015" on 0.25" thickness

Catalogue Name	Description	A	B	C	D
PBPA-1x2.50	1.00" x 2.50" for Two 1/4-20 NC SHCS	1.00"	2.50"	0.50"	0.50"
PBPA-1x3.75	1.00" x 3.75" for Two 1/4-20 NC SHCS	1.00"	3.75"	0.50"	0.50"



Tolerance:
 ±0.010" unless otherwise specified.
 0.00/-0.015" on D dimension



CONTACT KTM TO REQUEST FOR 3D FILES AND FOR MORE INFORMATION