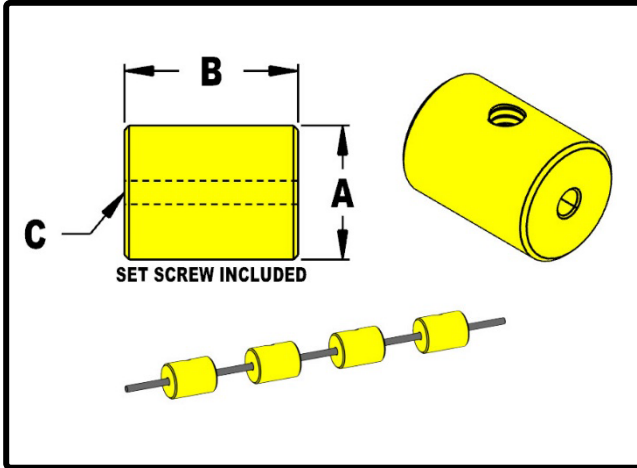


# Mold Components

KTM Canada Head Office: 16-342 Bronte St. South, Milton, ON Canada, L9T 5B7  
 Phone: (905) 878-3788 Fax: (905) 878-0900 Email: Info@kingstool.com Website: www.kingstool.com

## KTM Water Diverters

Material: Solid Brass



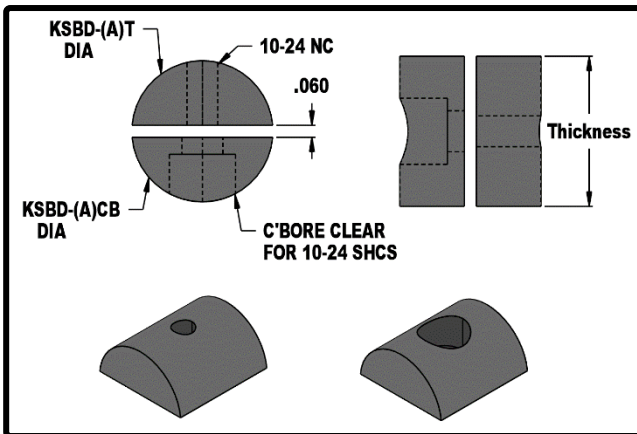
Catalogue Name	A	B	C	Notes
WD-1/4	0.432"	0.750"	0.100"	1/4" NPT Water Line
WD2-1/4			0.125"	
WD-3/8	0.557"	0.750"	0.100"	3/8" NPT Water Line
WD2-3/8			0.125"	
WD-3/8B	0.573"	0.750"	0.100"	3/8" NPT Water Line
WD2-3/8B			0.125"	
WD-1/2	0.713"	0.750"	0.100"	1/2" NPT Water Line
WD2-1/2			0.125"	
WD-3/4	0.932"	0.750"	0.100"	3/4" NPT Water Line
WD2-3/4			0.125"	
WD2-3/4B	0.917"		0.125"	
WD-1	1.145"	1.000"	0.250"	1" NPT Water Line

**Note:**  
 All Diverters are made of solid brass, with pre-drilled through holes and comes complete with set screw mounted for locking

**CUSTOM SIZES AVAILABLE. PLEASE CONTACT KTM**

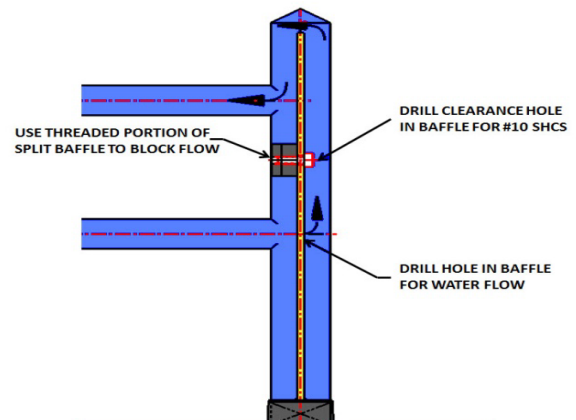
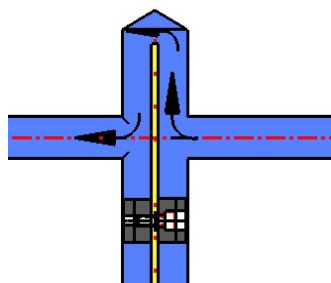
## KTM Split Bubbler Diverters

Material: Aluminum or Brass



Catalogue Name	(A) WATERLINE	DIA	PART NAME AS SET
KSBD-1/2T	1/2 NPT	0.705"	KSBD-1/2-SET
KSBD-1/2CB			
KSBD-3/4T	3/4 NPT	0.910"	KSBD-3/4-SET
KSBD-3/4CB			
KSBD-1.0T	1.0 NPT	1.156"	KSBD-1.0-SET
KSBD-1.0CB		1.145"	KSBD-B-1.0-SET
KSBD-B-1.0T			
KSBD-B-1.0CB			

**Notes:**  
 - For Brass Version please add **-Brass** at the end of the catalogue name. Example: **KSBD-1/2T-Brass**  
 - Thickness = 0.75"



**CUSTOM SIZES AVAILABLE. PLEASE CONTACT KTM**