

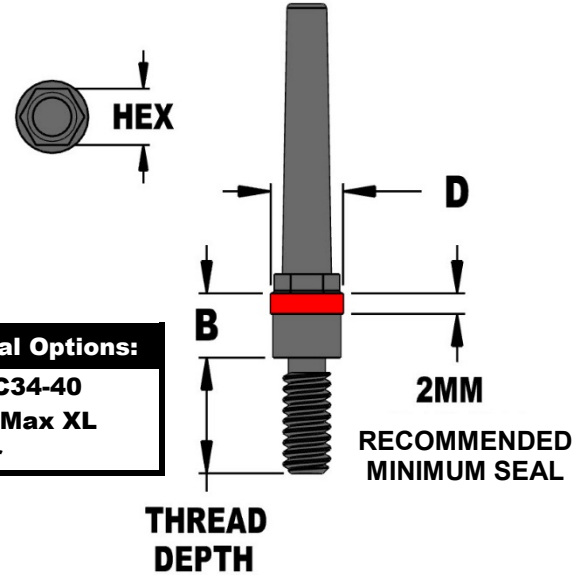
# Mold Components

KTM Canada Head Office: 16-342 Bronte St. South, Milton, ON Canada, L9T 5B7  
 Phone: (905) 878-3788 Fax: (905) 878-0900 Email: Info@kingstool.com Website: www.kingstool.com

## KTM Metric Screw In Core Pin

Material: O1 RC34-40 (material can be modified)

Catalogue Name	D +0.00mm -0.015mm	THREAD	THREAD DEPTH	RECOMMENDED HEX	B MIN HEIGHT
SCPM4-	5mm	M4x0.7	8mm	4mm	6.35mm
SCPM5-	6.35mm	M5x0.8	11.43mm	4.5mm	6.35mm
SCPM5A-	7mm	M5x0.8	11.43mm	5mm	6.35mm
SCPM6-	8mm	M6x1.0	11.43mm	5mm	6.35mm



Standard Delivery: 2-3 Weeks depending on quantity

**ORDERING USING 3D CAD DATA SAMPLE**

Ordering a Screw in Core Pin with M5x0.8 Thread with a 4.5mm Hex Head made to your 3D Cad file.

<p><b>Catalogue Name</b></p> <p style="text-align: center;">↓</p> <div style="border: 1px solid red; padding: 2px; text-align: center; width: 80px; margin: 0 auto;"><b>SCPM5</b></div>	<p><b>Your File Name</b></p> <p style="text-align: center;">↓</p> <div style="border: 1px solid red; padding: 2px; text-align: center; width: 200px; margin: 0 auto;"><b>CORE INSERT CP#1.STP</b></div>
---	---

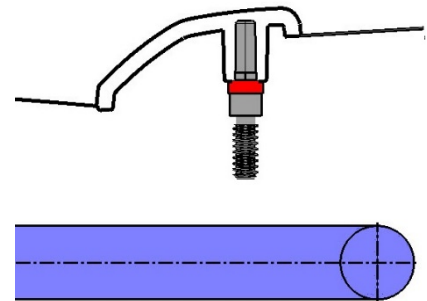
- Material Options:**

  - O1 RC34-40
  - Mold Max XL
  - Other

**Custom Made to your specifications. Delivered and ready to be installed.**

**Typical Application for Custom KTM SCREW IN CORE PINS:**

- Capturing boss details with KTM SCREW IN CORE PINS saves time and allows for easy replacement of details in potential wearing locations
- Use KTM SCREW IN CORE Pin in place of Core Pins when there are obstruction such as water lines and lifter rods



**KTM SCREW IN CORE PINS CAN BE CUSTOMIZED TO YOUR SPECIFICATIONS, SEND US YOUR 3D FILES WITH MATERIAL SPECIFICATIONS**

**Custom Installation tooling can be supplied by KTM. Please Contact KTM for Further Details**