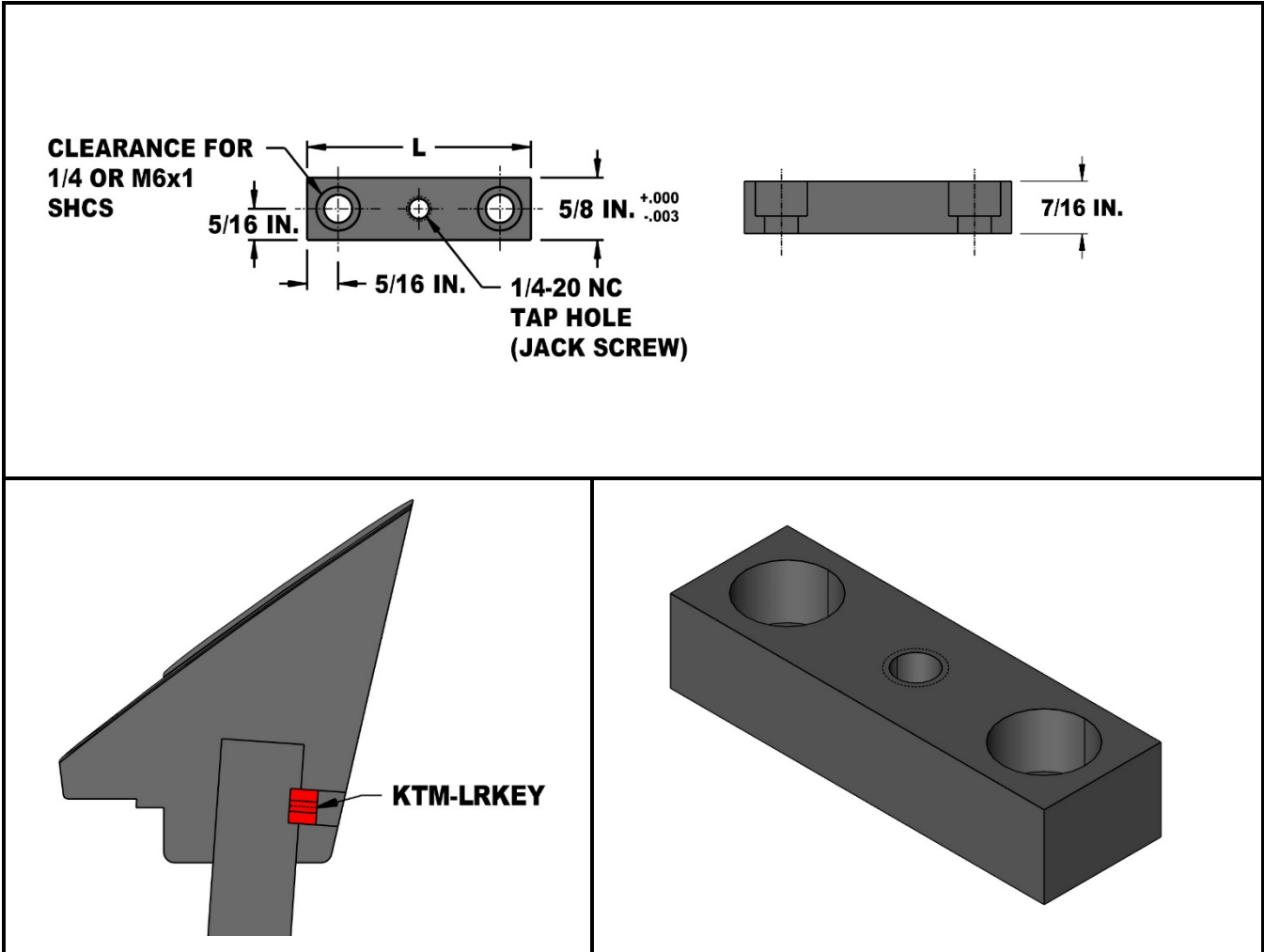


Mold Components

KTM Canada Head Office: 16-342 Bronte St. South, Milton, ON Canada, L9T 5B7
 Phone: (905) 878-3788 Fax: (905) 878-0900 Email: Info@kingstool.com Website: www.kingstool.com

KTM Lifter Retainer Key

Material: HHP20



Recommended Lifter Rod Size			
Catalogue Name	L	Lifter Rod Diameter (Inch)	Lifter Rod Diameter (MM)
KTM-LRKEY-A	2.000"	1.000" DIA OR LESS	25.00 MM DIA OR LESS
KTM-LRKEY-B	2.500"	1.500" DIA OR LESS	38.00 MM DIA OR LESS
KTM-LRKEY-C	3.000"	2.000" DIA OR LESS	50.00 MM DIA OR LESS

CONTACT KTM TO REQUEST TO ADD CUSTOM LIFTER RETAINER KEYSIZES TO KTM CATALOGUE