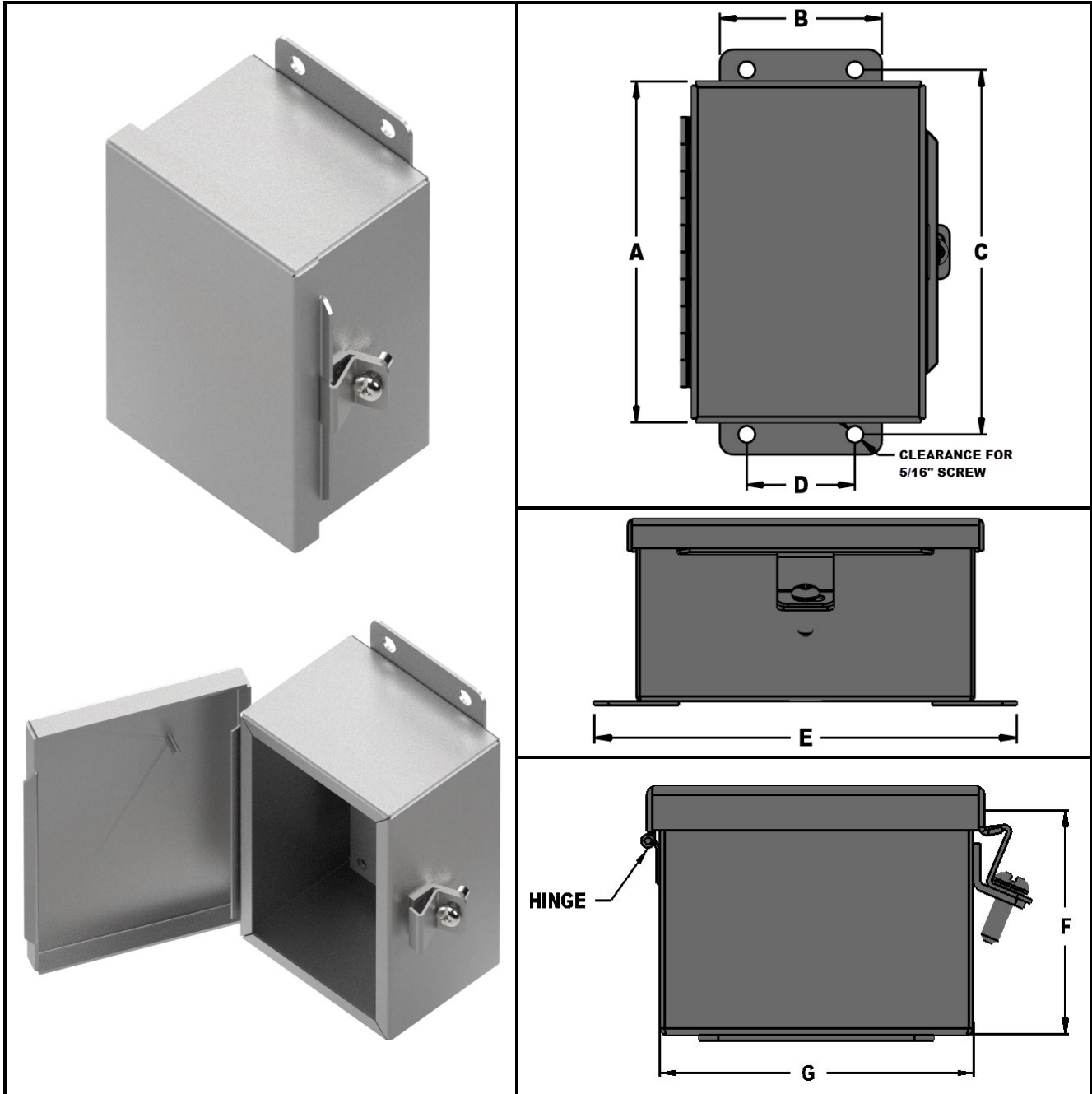


Mold Components

KTM Canada Head Office: 16-342 Bronte St. South, Milton, ON Canada, L9T 5B7
 Phone: (905) 878-3788 Fax: (905) 878-0900 Email: Info@kingstool.com Website: www.kingstool.com

KTM Mounting Box

Material: 14 Gauge Steel



Catalogue Name	A	B	C	D	E	F	G
KTM-1414PHC	6.0"	3.0"	6.75"	2.00"	7.50"	3.0"	4.0"

CONTACT KTM TO REQUEST FOR 3D FILES AND TO ADD CUSTOMER SIZES TO KTM CATALOGUE