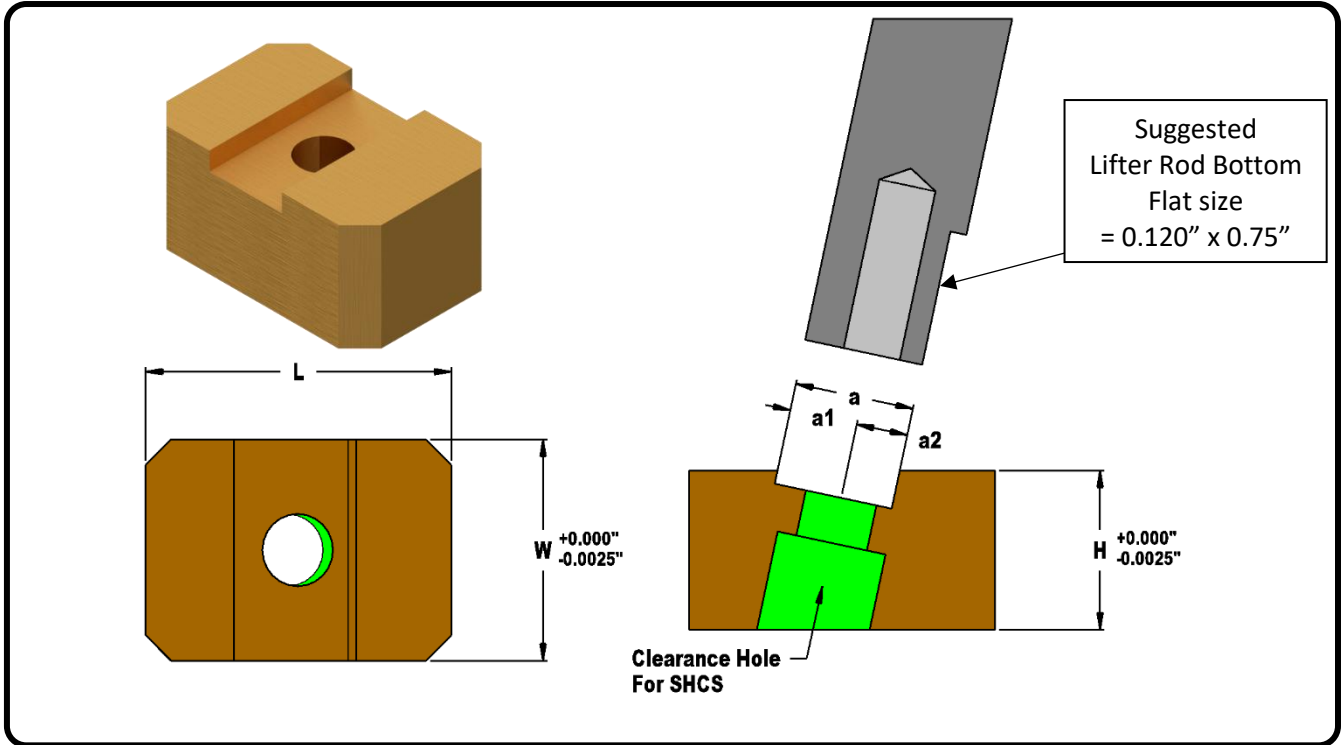


Mold Components

KTM Canada Head Office: 56 Steeles Ave. UNIT#35 Milton, ON Canada, L9T 4W9
 Phone: (905) 878-3788 Fax: (905) 878-0900 Email: Info@kingstool.com Website: www.kingstool.com

KTM R Series Lifter Feet

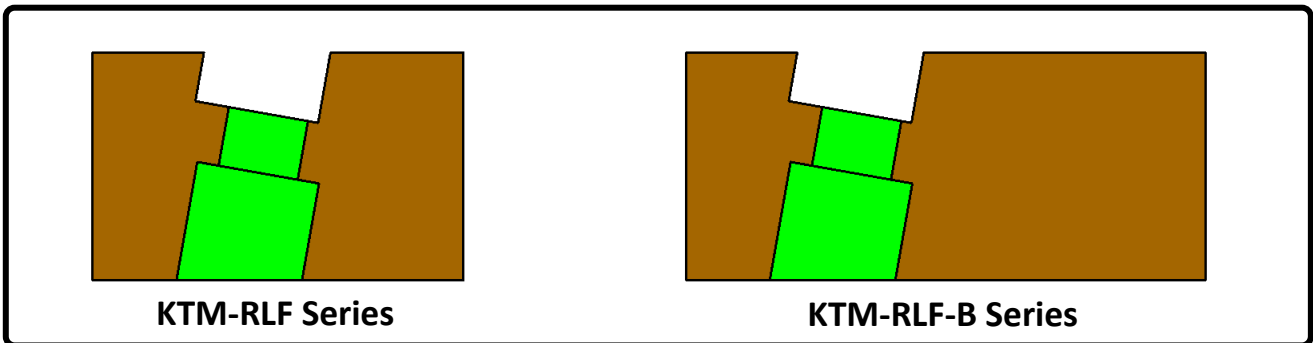
Material: Aluminum Bronze



Catalogue Name	Lifter Rod Size	L	W	H	a	a1	a2	SHCS
KTM-RLF-75	0.75"	2.000"	1.250"	1.125"	0.630"	0.375"	0.255"	3/8" SHCS
KTM-RLF-75B		2.625"						
KTM-RLF-100	1.00"	2.500"	1.500"	1.375"	0.880"	0.500"	0.380"	1/2" SHCS
KTM-RLF-100B		3.000"						

Part Number	** Angle Callout (Degrees)														
	1deg	2deg	3deg	4deg	5deg	6deg	7deg	8deg	9deg	10deg	11deg	12deg	13deg	14deg	15deg
KTM-RLF-75-															
KTM-RLF-75B-															
KTM-RLF-100-															
KTM-RLF-100B-															

Sample ordering format: Callout for RLF-75B with 5-degree angle would be **KTM-RLF-75B-05**.



Contact KTM for 3D Data & Custom Sizes