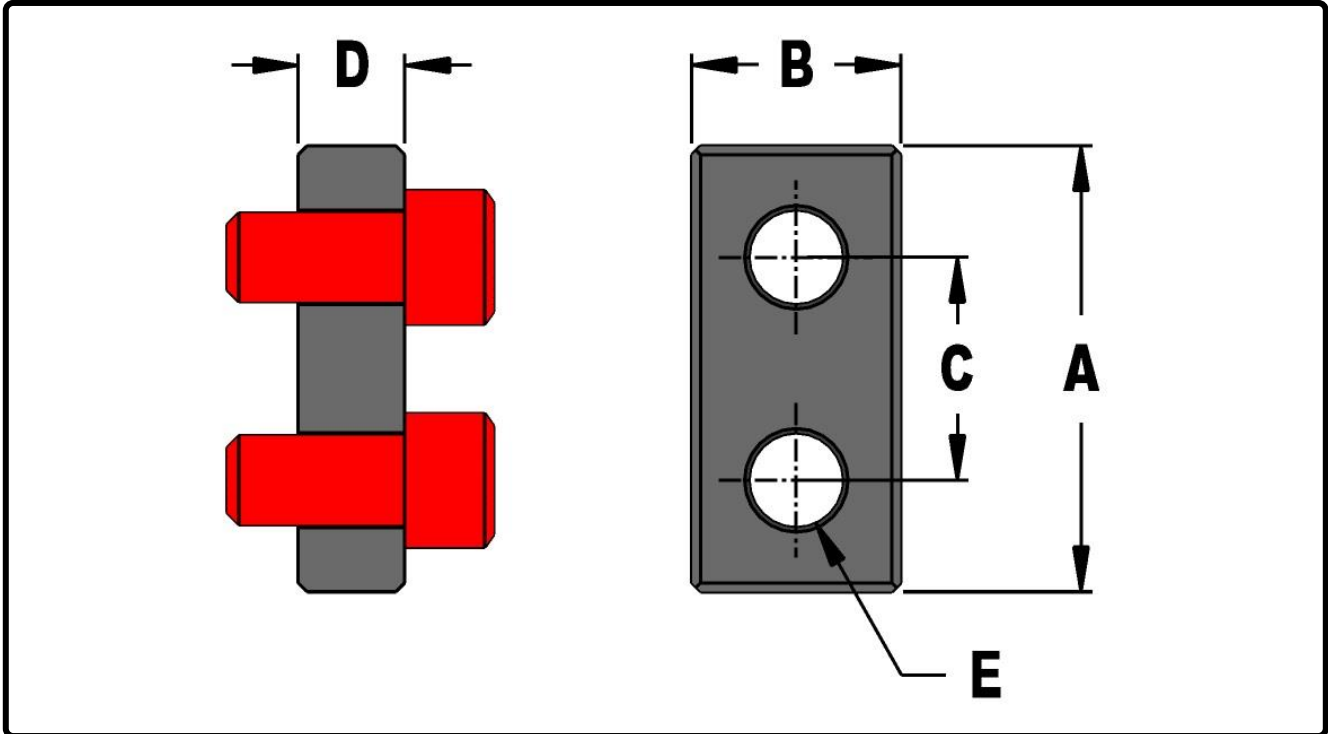


# Mold Components

KTM Canada Head Office: 56 Steeles Ave. UNIT#35 Milton, ON Canada, L9T 4W9  
 Phone: (905) 878-3788 Fax: (905) 878-0900 Email: Info@kingstool.com Website: www.kingstool.com

## KTM Mold Straps

Material: CRS



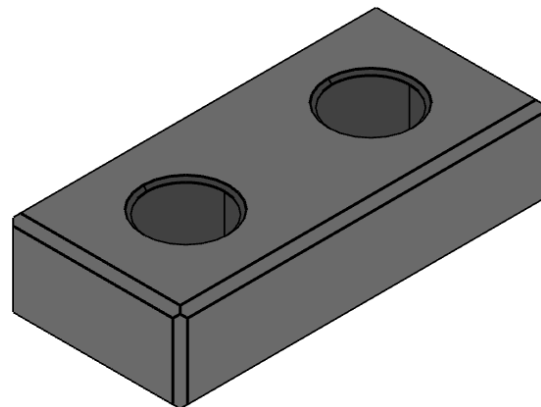
Catalogue Name	Mold Weight	A*	B*	C	D*	E
MS-3	0 Ton to 5 Ton	3.00"	1.575"	1.500"	0.450"	1/2" SHCS
MS-4	6 Ton to 15 Ton	4.00"	1.950"	2.000"	0.800"	3/4" SHCS
MS-5	15 Ton to 30 Ton	5.00"	2.350"	2.500"	1.200"	1" SHCS

**Note:**

Mold Weights are suggested values only. Recommended is sets of 2-4

\* Tolerances are +/-0.025"

E – Clearance drilled for SHCS



**CUSTOM SIZES AVAILABLE. CONTACT KTM FOR FURTHER DETAILS**