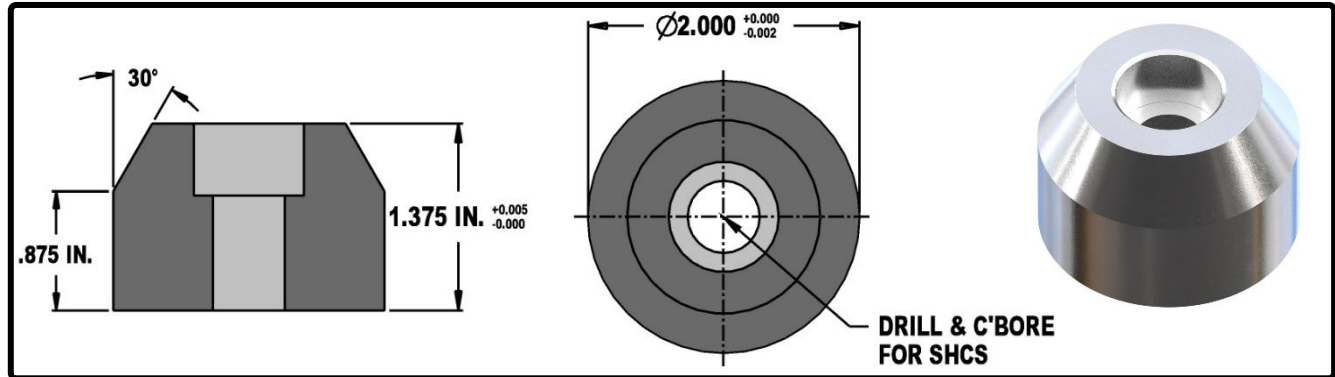


# Mold Components

KTM Canada Head Office: 56 Steeles Ave. UNIT#35 Milton, ON Canada, L9T 4W9  
 Phone: (905) 878-3788 Fax: (905) 878-0900 Email: Info@kingstool.com Website: www.kingstool.com

## KTM SRG Locator

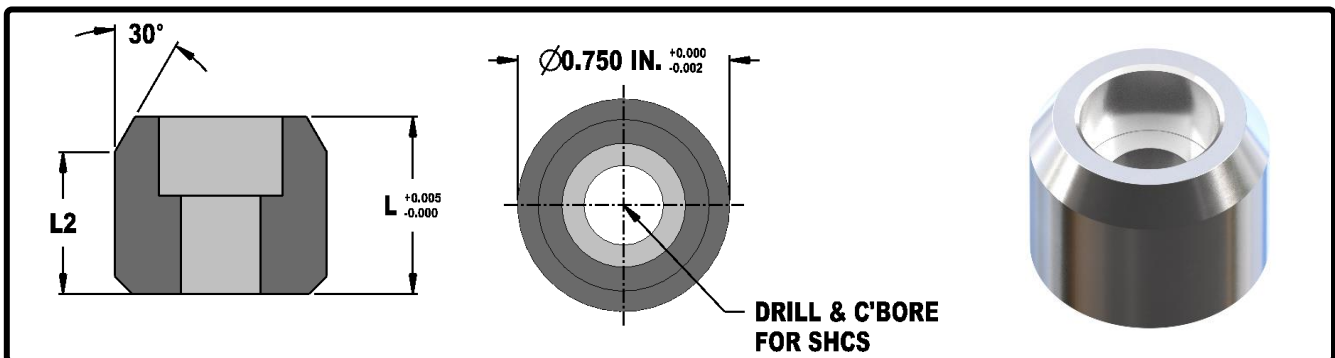
**Material:** Case Hardened Steel



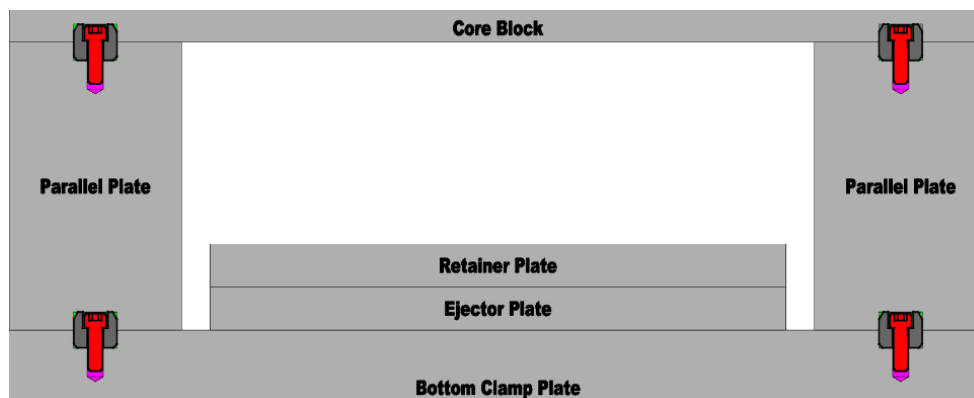
Catalogue Name	SHCS (INCH)	SHCS (MM)
<b>SRG LOCATOR</b>	1/2 SHCS	M12 SHCS

## KTM Locator 75 Series

**Material:** Case Hardened Steel



Catalogue Name	L	L2	SHCS (INCH)	SHCS (MM)
<b>KTM-Locator-75-L0.625</b>	0.625"	0.500"	1/4 SHCS	M6 SHCS
<b>KTM-Locator-75-L0.875</b>	0.875"	0.750"		



Use KTM Locator instead of dowels to help support and align the mold plates. Relieves stress off screws and dowels.

**CONTACT KTM TO REQUEST FOR 3D FILES AND TO ADD CUSTOMER SIZES TO KTM CATALOGUE**