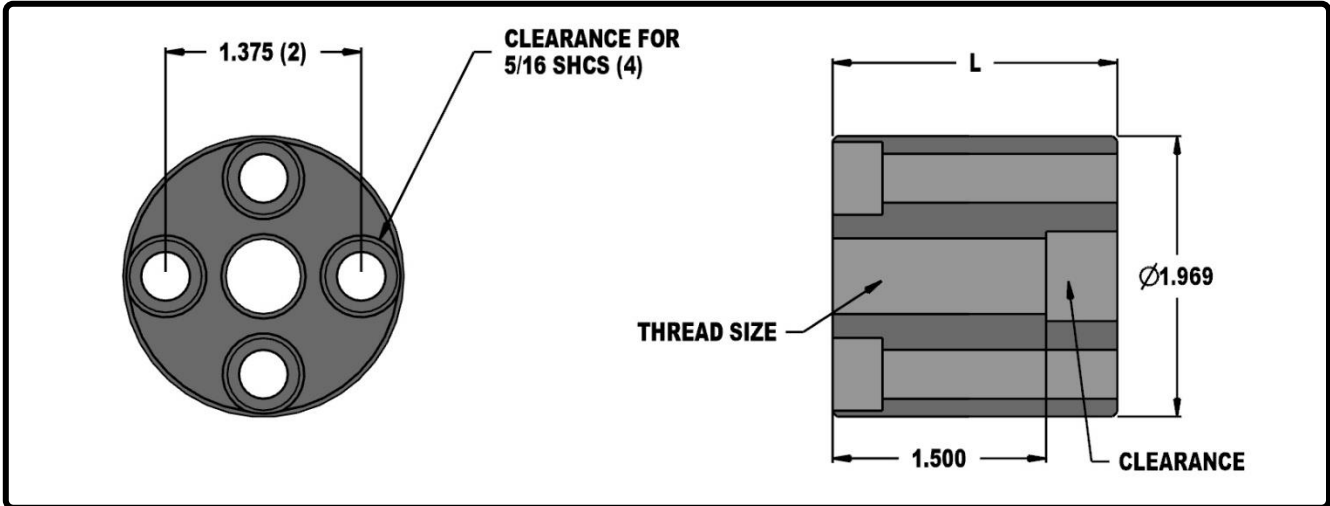


Mold Components

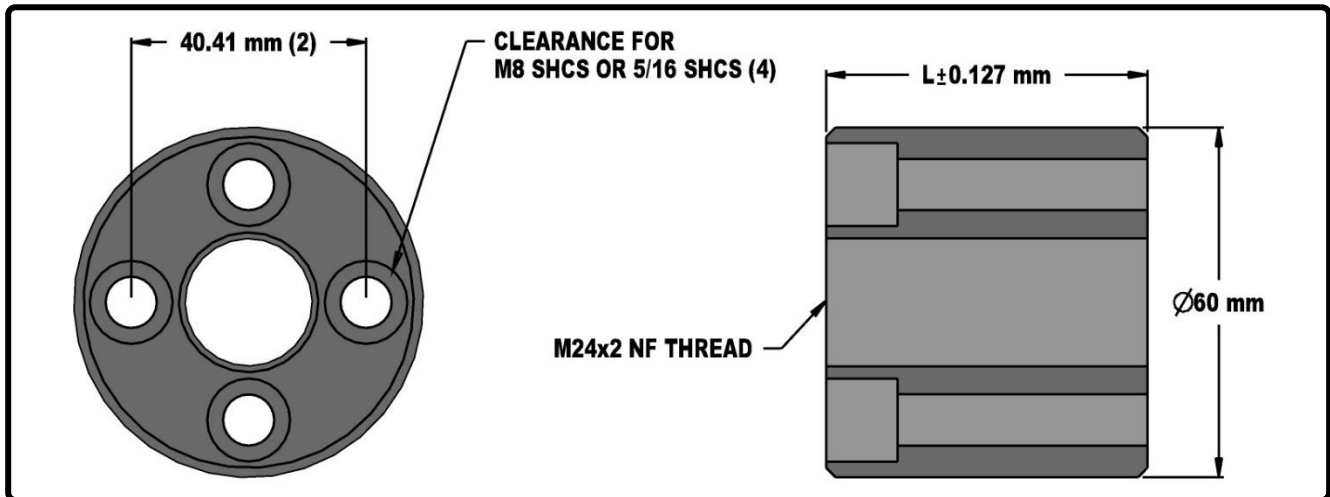
KTM Canada Head Office: 56 Steeles Ave. UNIT#35 Milton, ON Canada, L9T 4W9
 Phone: (905) 878-3788 Fax: (905) 878-0900 Email: Info@kingstool.com Website: www.kingstool.com

KTM Knockout Rod Extension

Material: Shaft



| Catalogue Name | L | Thread Size |
|----------------|--------|-------------|
| KPKP6L2 | 2.000" | 5/8" NC |
| KPKP75L2 | 2.000" | 3/4" NC |
| KPKP6L2.625 | 2.625" | 5/8" NC |
| KPK75L2.625 | 2.625" | 3/4" NC |



| Catalogue Name | L |
|----------------|-----------|
| M&H-KOext-1 | 45.263 mm |
| M&H-KOext-2 | 55.270 mm |

CUSTOM KNOCKOUT ROD EXTENSIONS

PLEASE CONTACT US WITH YOUR CUSTOM KNOCKOUT ROD EXTENSION SIZES AND
 KTM WILL PREMANUFACTURE AND STOCK FOR YOUR FUTURE ORDERING NEEDS