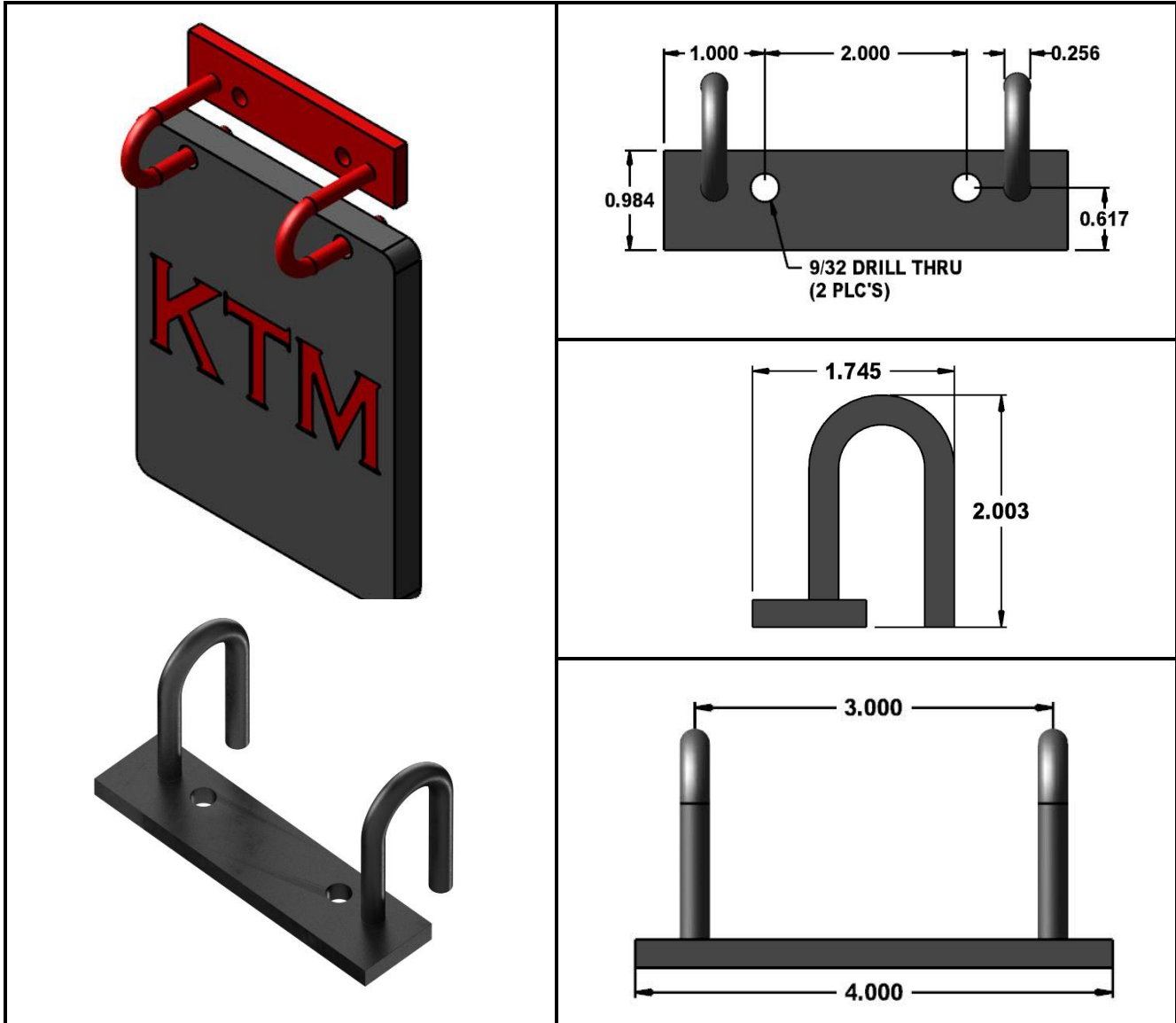


# Mold Components

KTM Canada Head Office: 56 Steeles Ave. UNIT#35 Milton, ON Canada, L9T 4W9  
 Phone: (905) 878-3788 Fax: (905) 878-0900 Email: [Info@kingstool.com](mailto:Info@kingstool.com) Website: [www.kingstool.com](http://www.kingstool.com)

## KTM Plaque Book Holder

**Material:** Machine Steel



Catalogue Name	Description
KTM-PBH-3	Side tooling mount Plaque Book Holder

**CONTACT KTM TO REQUEST TO ADD CUSTOM LIFTER ROD LOCK SIZES TO KTM CATALOGUE**