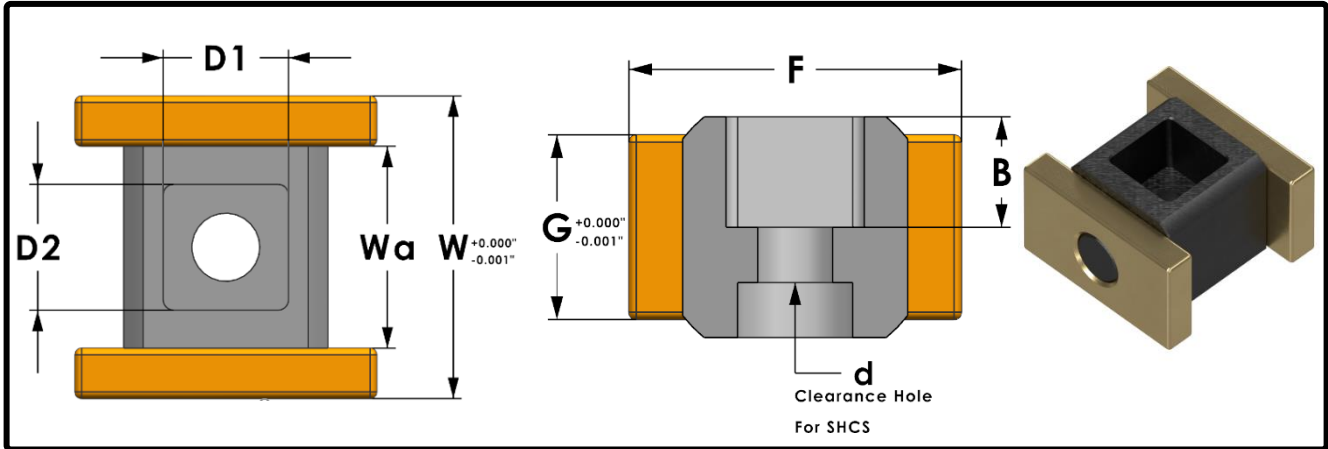


Mold Components

KTM Canada Head Office: 56 Steeles Ave. UNIT#35 Milton, ON Canada, L9T 4W9
 Phone: (905) 878-3788 Fax: (905) 878-0900 Email: Info@kingstool.com Website: www.kingstool.com

KTM Uni-lifter Swivel Assembly

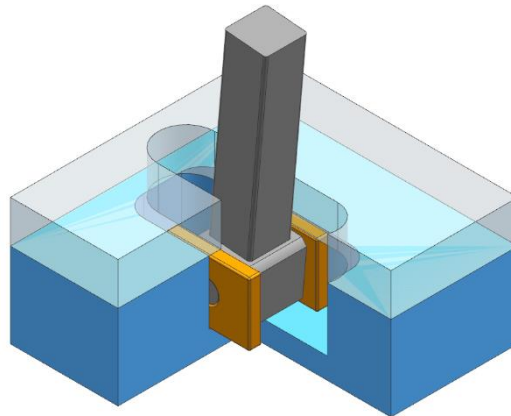
Material: 4140, Aluminum Bronze



Imperial (Inch)	D1	D2	B	d	W	Wa	F	G
75-AB-Swivel-UL	0.75"	0.75"	0.6"	3/8 SHCS	1.802"	1.203"	1.8"	1.000"
100-AB-Swivel-UL	1.00"	1.00"	0.6"	1/2 SHCS	1.902"	1.303"	2.0"	1.000"
75-AB-Swivel-UL-Blank	N/A	N/A	0.6"	N/A	1.802"	1.203"	1.8"	1.000"
100-AB-Swivel-UL-Blank	N/A	N/A	0.6"	N/A	1.902"	1.303"	2.0"	1.000"

**For Graphite Impregnated Aluminum Bronze, add G between AB and Swivel in the catalogue name.
 Example: 75-AB-G-Swivel-UL**

Features:



KTM Unilifter Swivel Assembly conveniently sits between ejection and retainer plates and allows free adjustment to align with Unilifter.

CONTACT KTM TO REQUEST FOR 3D FILES OR FOR CUSTOM LIFTER CARRIAGE ANGLES