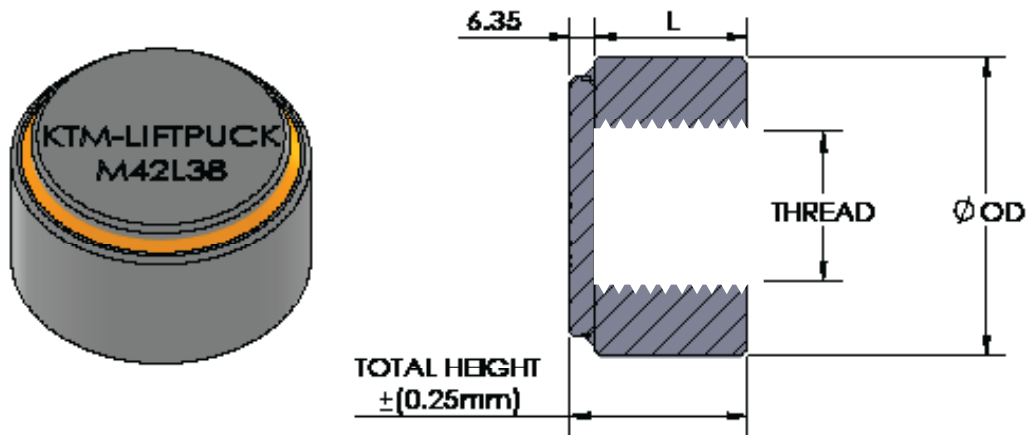
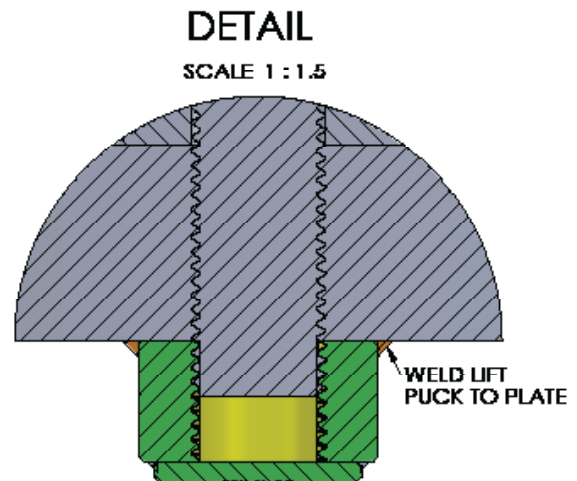
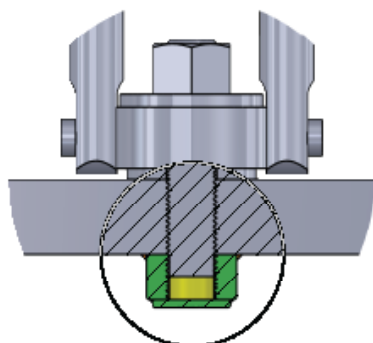
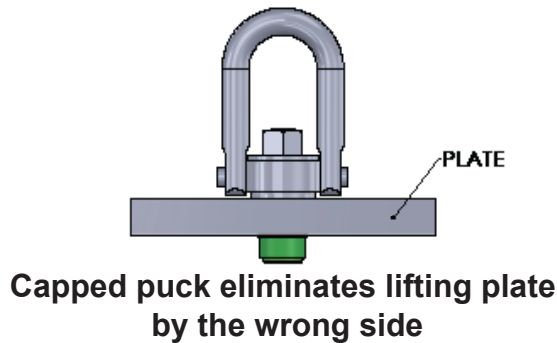


KTM Lift Puck (Metric Series)

Extend thread engagement by welding KTM Lift Puck to plates



Catalogue Name	(OD) [mm] Puck Diameter	(THREAD) Thread Size	(L) [mm] Length	Total Height[mm]
KTM-LiftPuck-M24L12	38	M24x3.0	12	18.35
KTM-LiftPuck-M24L24	38	M24x3.0	24	30.35
KTM-LiftPuck-M30L20	50	M30x3.5	20	26.35
KTM-LiftPuck-M36L25	65	M36x4.0	25	31.35
KTM-LiftPuck-M36L40	65	M36x4.0	40	46.35
KTM-LiftPuck-M42L38	75	M42x4.5	38	44.35



Welding: Locate/Tighten puck to bolt before welding to match the threads of the tapped hole and puck.

Contact KTM For Non-Threaded Lift Pucks or Custom Sizes