

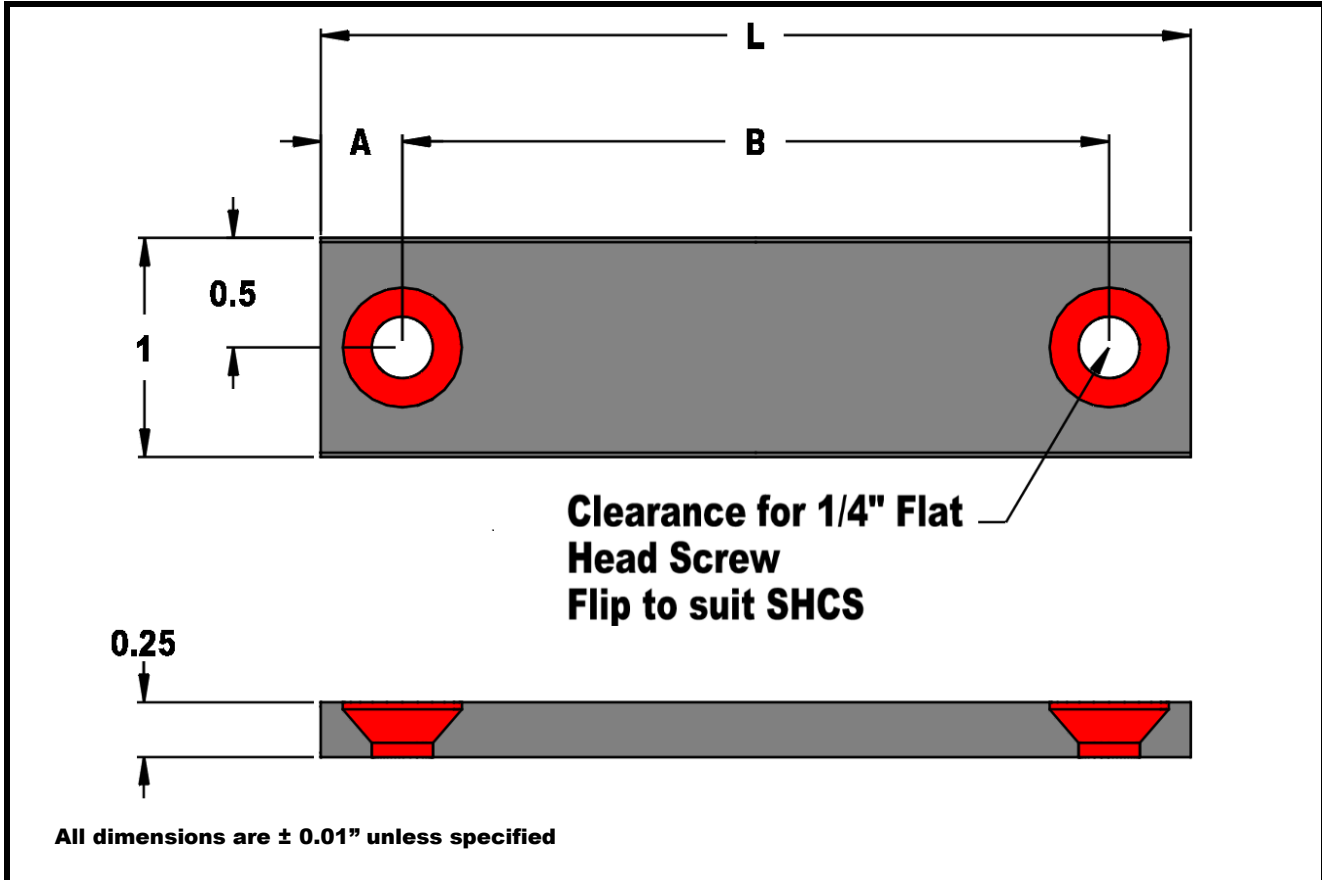


# Mold Components

KTM Canada Head Office: 56 Steeles Ave. UNIT#35 Milton, ON Canada, L9T 4W9  
 Phone: (905) 878-3788 Fax: (905) 878-0900 Email: Info@kingstool.com Website: www.kingstool.com

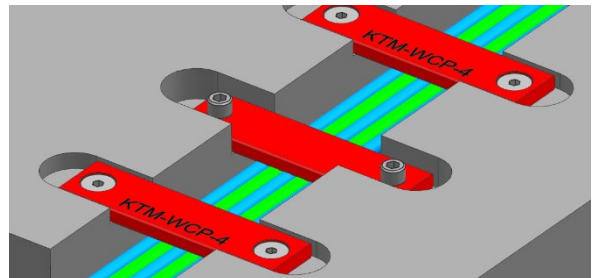
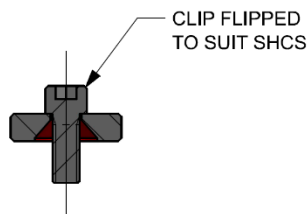
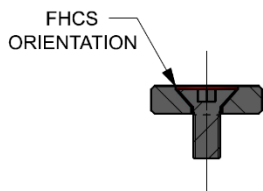
## KTM Wire Cover Plate

Material: CRS



All dimensions are ± 0.01" unless specified

Catalogue Name	A (inch)	B (inch)	Length (L)
KTM-WCP-2	0.375	-	2
KTM-WCP-3		2.25"	3
KTM-WCP-4		3.25"	4
KTM-WCP-5		4.25"	5
KTM-WCP-6		5.25"	6
KTM-WCP-7		6.25"	7
KTM-WCP-8		7.25"	8



CONTACT KTM TO REQUEST FOR 3D FILES AND FOR MORE INFORMATION