

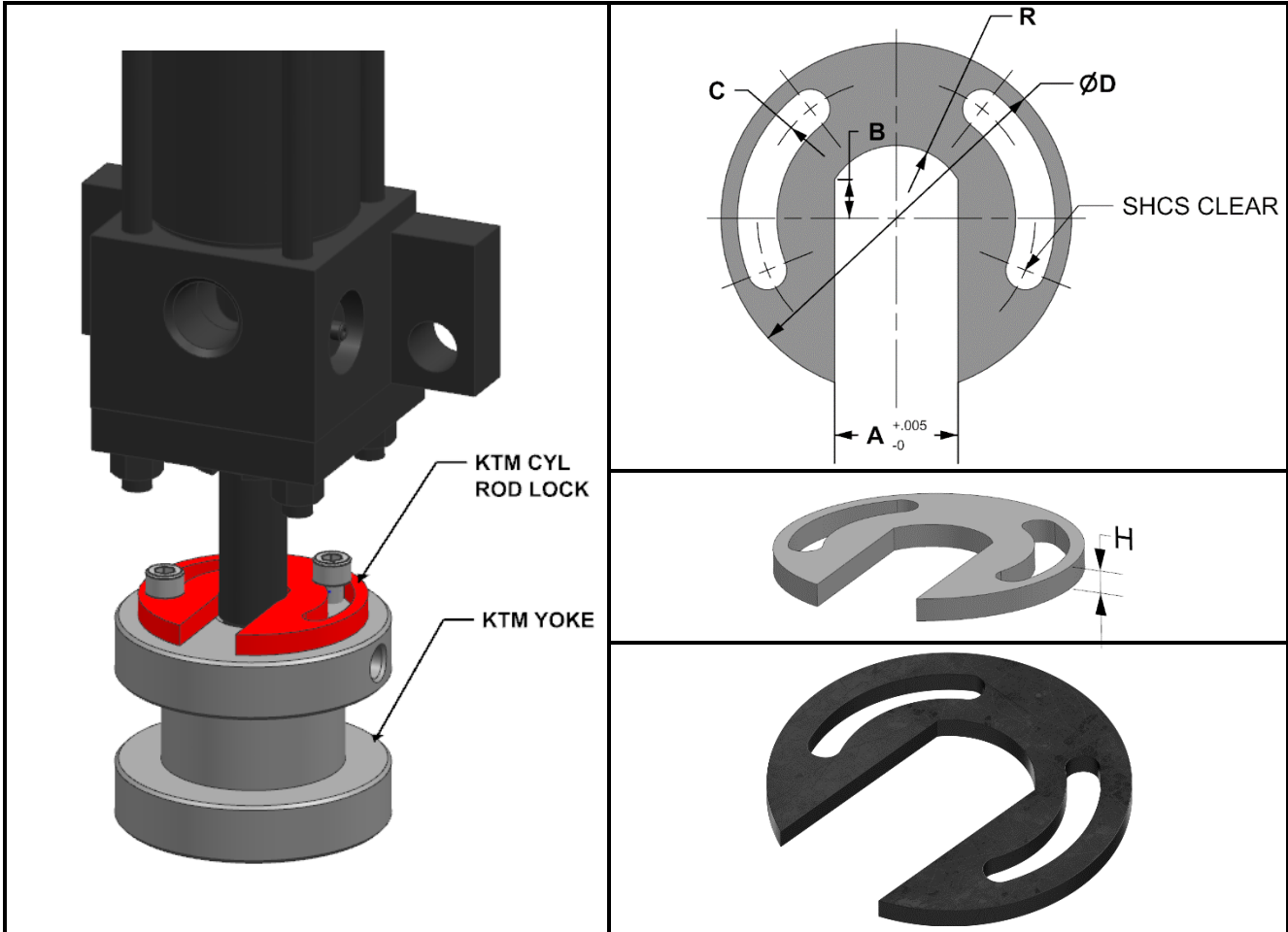


Mold Components

KTM Canada Head Office: 56 Steeles Ave. UNIT#35 Milton, ON Canada, L9T 4W9
 Phone: (905) 878-3788 Fax: (905) 878-0900 Email: Info@kingstool.com Website: www.kingstool.com

KTM Cylinder Rod Lock

Material: CRS



Catalogue Name	A	B	D	R	C	H	SHCS	Parker Ø Rod	Yoke Compatibility
KTM-CYLRODLOC-63	.500	.192	1.875"	.315"	1.4375	.180	#10	0.625"	KTM-Yoke A
KTM-CYLRODLOC-100	0.880"	0.277"	2.500"	0.520"	2.000"	.1875	1/4	1.000"	KTM-Yoke B & C
KTM-CYLRODLOC-137	1.130"	0.425"	3.000"	0.707"	2.208"	.1875	1/4	1.375"	KTM-Yoke B & C
KTM-CYLRODLOC-137P	1.265"	0.254"	3.000"	0.707"	2.208"	.1875	1/4	1.338"	KTM-Yoke B & C
KTM-CYLRODLOC-175	1.500"	0.488"	3.370"	0.895"	2.641"	.1875	1/4	1.750"	

CONTACT KTM TO REQUEST FOR 3D FILES AND TO ADD CUSTOM SIZES TO KTM CATALOGUE