

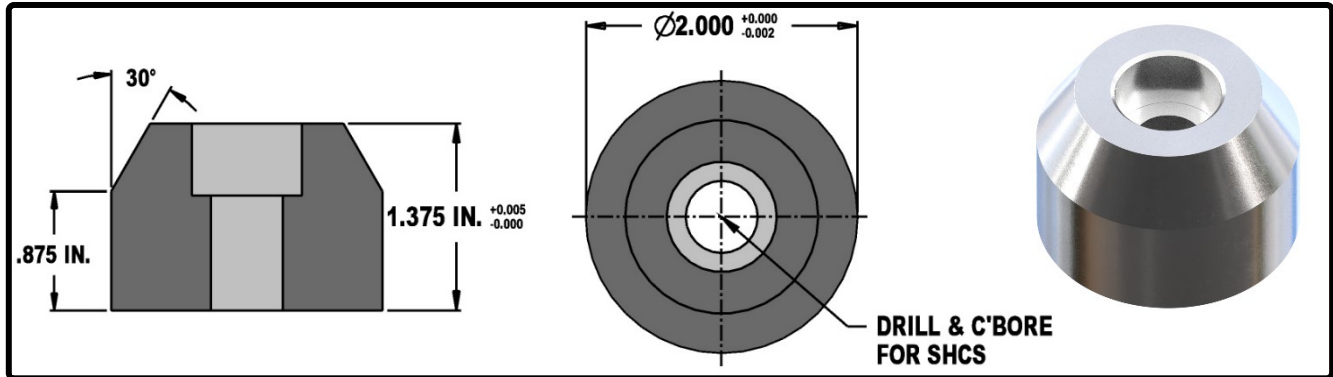


Mold Components

KTM Canada Head Office: 56 Steeles Ave. UNIT#35 Milton, ON Canada, L9T 4W9
 Phone: (905) 878-3788 Fax: (905) 878-0900 Email: Info@kingstool.com Website: www.kingstool.com

KTM SRG Locator

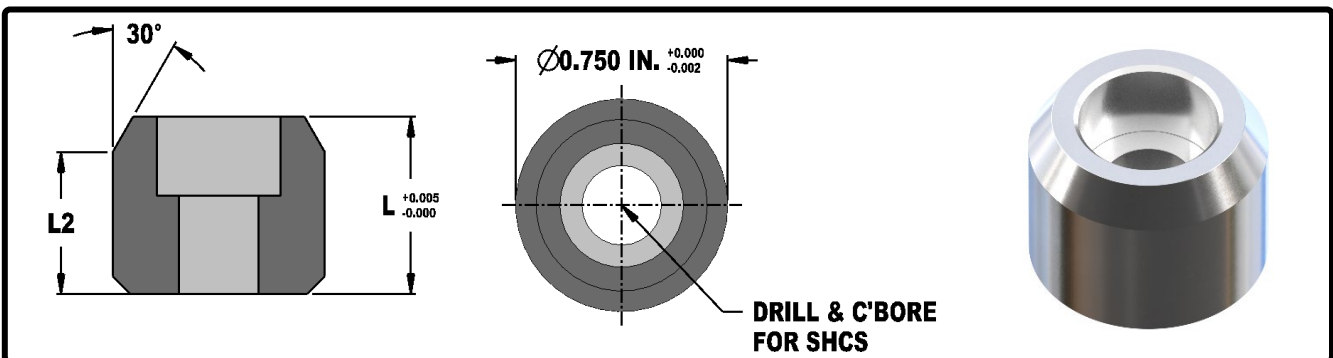
Material: Case Hardened Steel



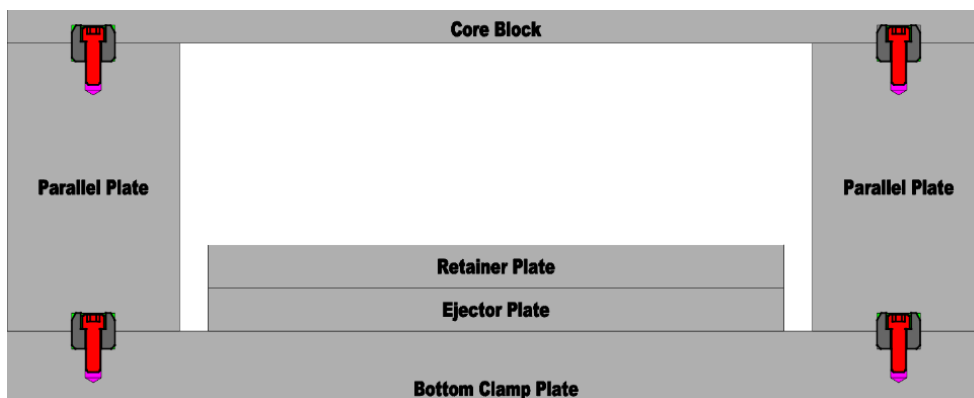
Catalogue Name	SHCS (INCH)	SHCS (MM)
SRG LOCATOR	1/2 SHCS	M12 SHCS

KTM Locator 75 Series

Material: Case Hardened Steel



Catalogue Name	L	L2	SHCS (INCH)	SHCS (MM)
KTM-Locator-75-L0.625	0.625"	0.500"	1/4 SHCS	M6 SHCS
KTM-Locator-75-L0.875	0.875"	0.750"		



Use KTM Locator instead of dowels to help support and align the mold plates. Relieves stress off screws and dowels.

CONTACT KTM TO REQUEST FOR 3D FILES AND TO ADD CUSTOMER SIZES TO KTM CATALOGUE