

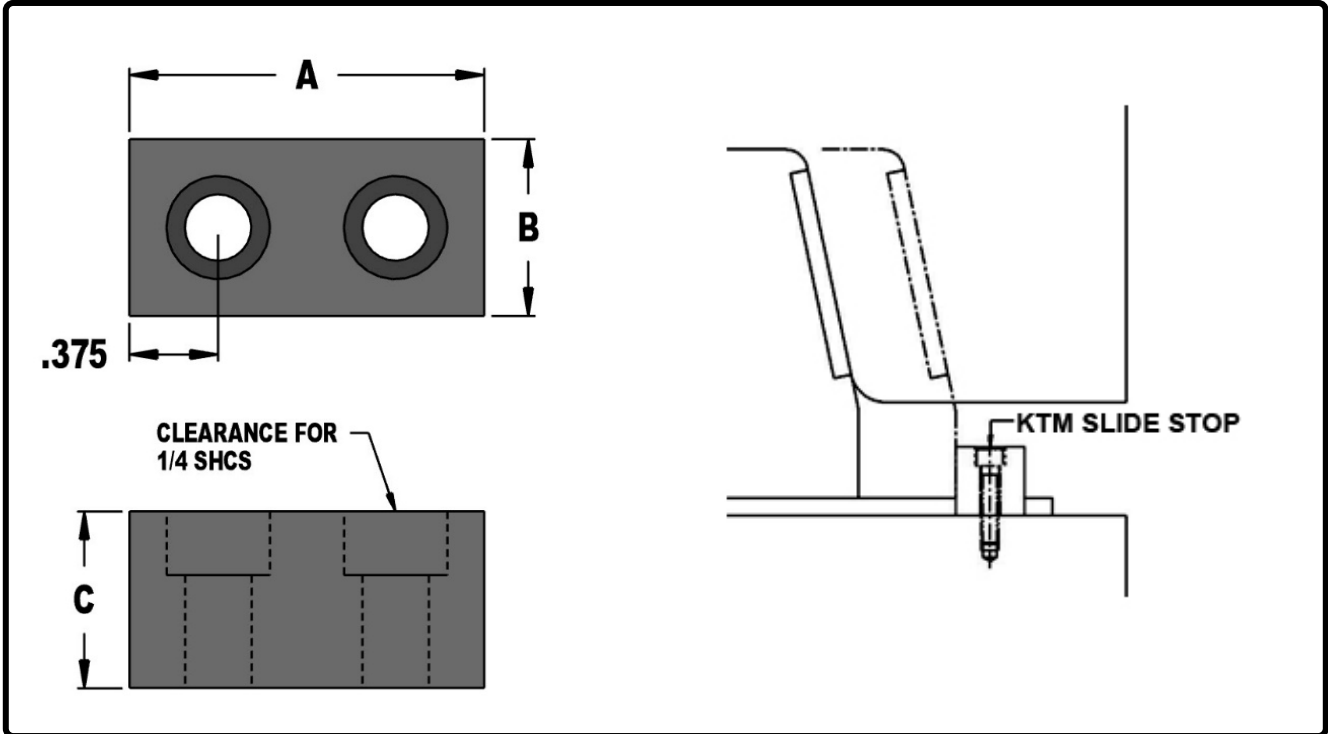


Mold Components

KTM Canada Head Office: 56 Steeles Ave. UNIT#35 Milton, ON Canada, L9T 4W9
 Phone: (905) 878-3788 Fax: (905) 878-0900 Email: Info@kingstool.com Website: www.kingstool.com

KTM Slide Stops

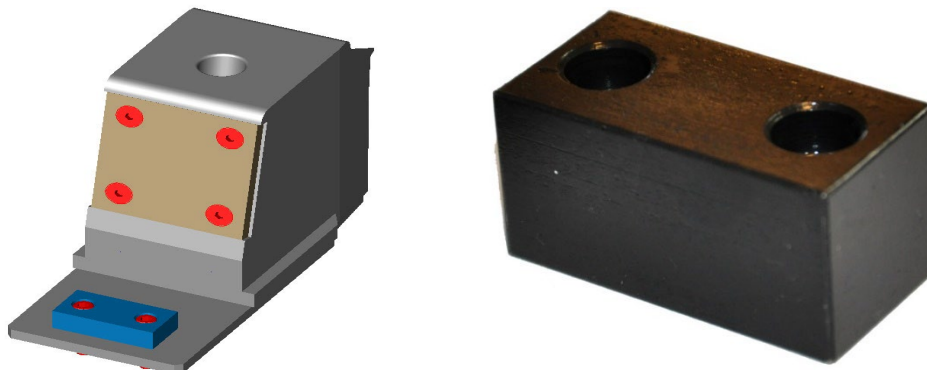
Material: CRS



Catalogue Name	A	B	C
KTM-SLDSTOP-1	1.50" (38.1 mm)	0.748" (19 mm)	0.748" (19 mm)
KTM-SLDSTOP-2	2.00" (50.8 mm)	0.984" (25 mm)	0.984" (25 mm)

Note:

Tolerances are +/-0.010" unless otherwise specified.



CUSTOM SIZES AVAILABLE. CONTACT KTM FOR FURTHER DETAILS