

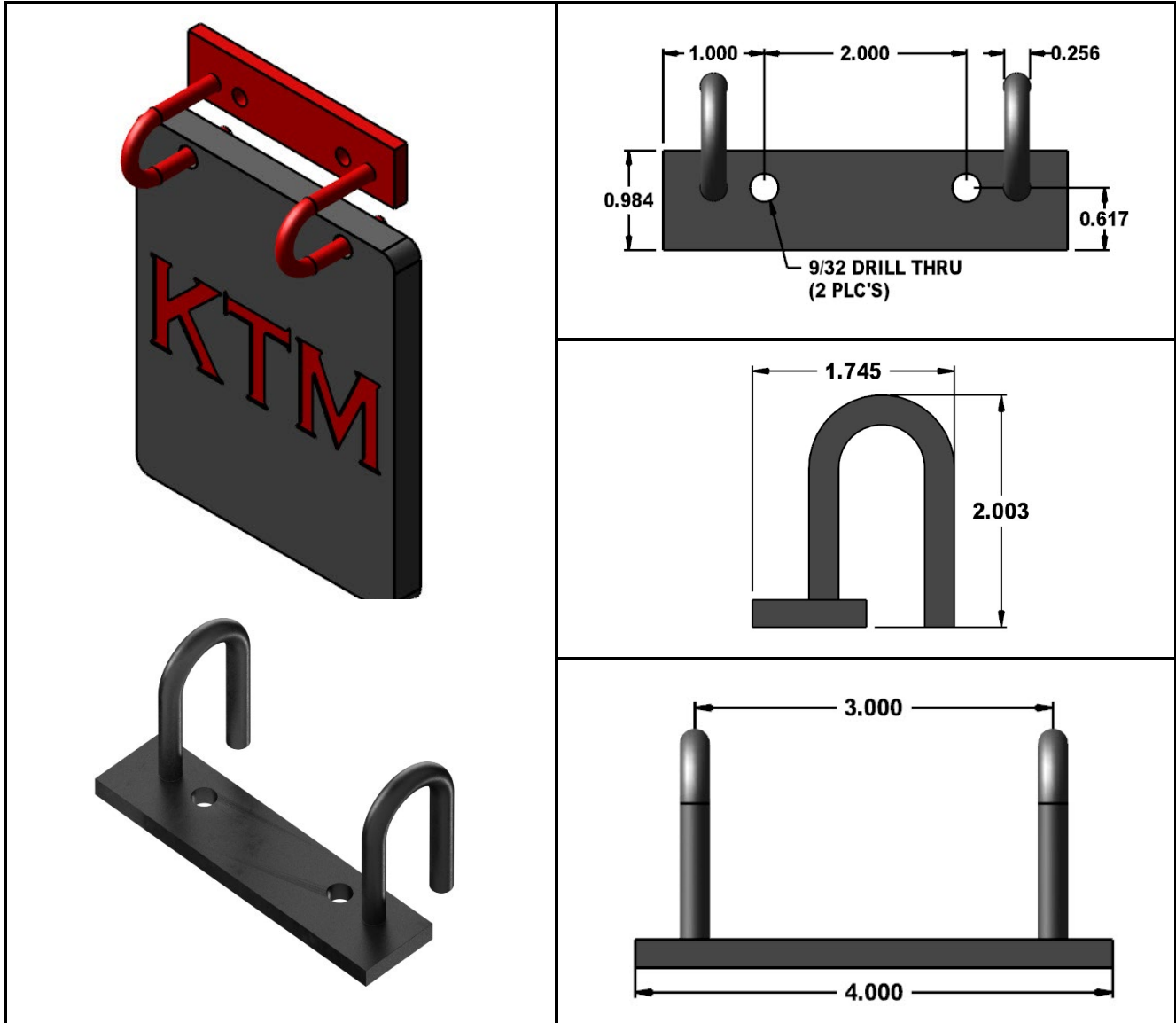


Mold Components

KTM Canada Head Office: 56 Steeles Ave. UNIT#35 Milton, ON Canada, L9T 4W9
 Phone: (905) 878-3788 Fax: (905) 878-0900 Email: Info@kingstool.com Website: www.kingstool.com

KTM Plaque Book Holder

Material: Machine Steel



Catalogue Name	Description
KTM-PBH-3	Side tooling mount Plaque Book Holder

CONTACT KTM TO REQUEST TO ADD CUSTOM LIFTER ROD LOCK SIZES TO KTM CATALOGUE