

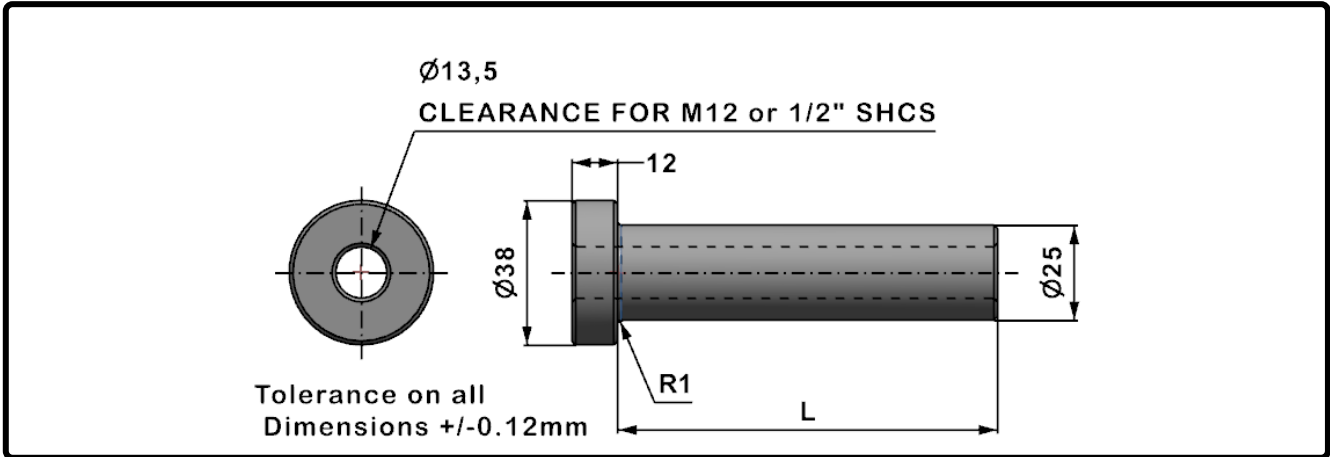


Mold Components

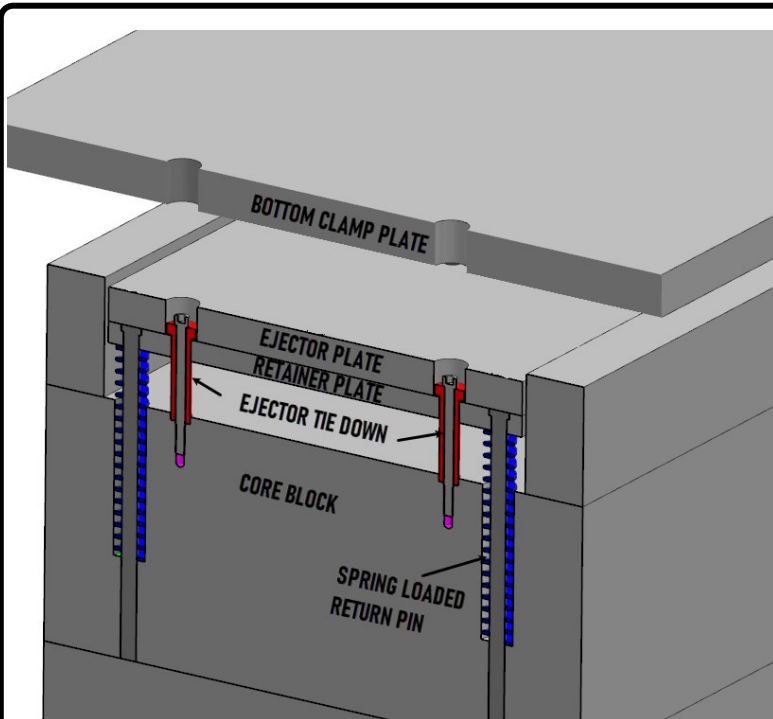
KTM Canada Head Office: 56 Steeles Ave. UNIT#35 Milton, ON Canada, L9T 4W9
 Phone: (905) 878-3788 Fax: (905) 878-0900 Email: Info@kingstool.com Website: www.kingstool.com

KTM Ejector Box Tie Down

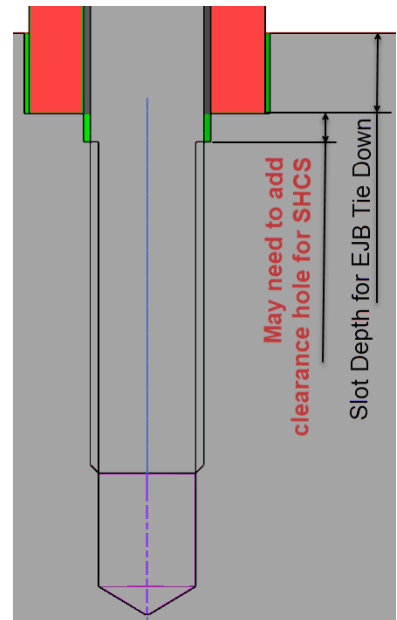
Material: Shaft



Catalogue Name	L
KTM-EJB TD-100MM	100 MM
KTM-EJB TD-125MM	125 MM
KTM-EJB TD-150MM	150 MM
KTM-EJB TD-175MM	175 MM
KTM-EJB TD-200MM	200 MM
KTM-EJB TD-225MM	225 MM
KTM-EJB TD-250MM	250 MM



CUSTOM SIZES AVAILABLE.
 Contact KTM for custom size requirements.



While disassembling the bottom clamp plate, KTM Ejector Box Tie Downs helps retain ejector plates in position when using spring loaded return pins.