

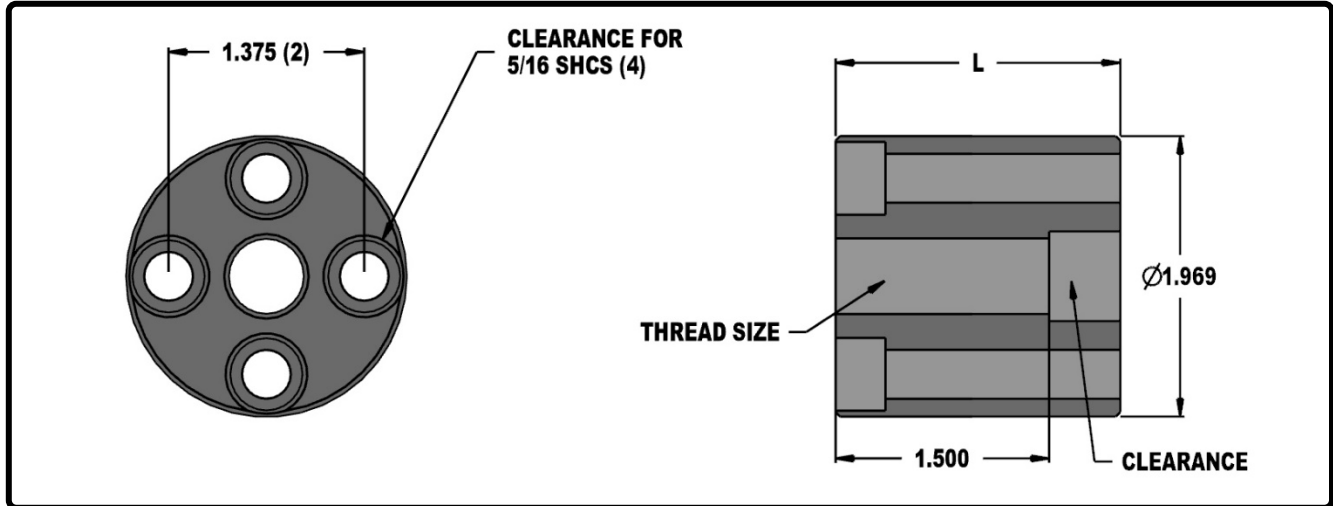


# Mold Components

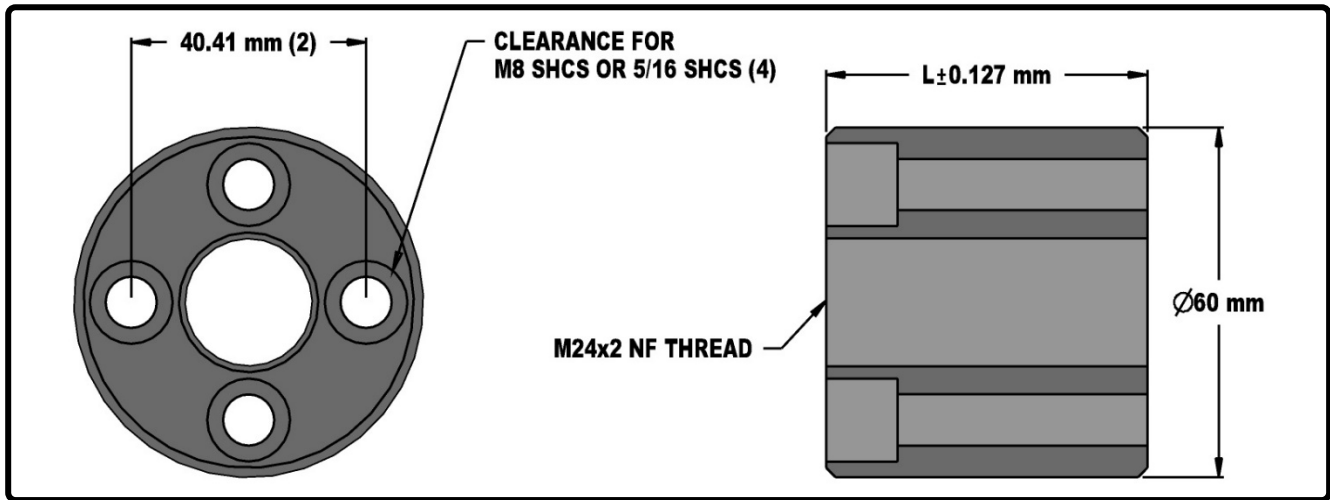
KTM Canada Head Office: 56 Steeles Ave. UNIT#35 Milton, ON Canada, L9T 4W9  
 Phone: (905) 878-3788 Fax: (905) 878-0900 Email: Info@kingstool.com Website: www.kingstool.com

## KTM Knockout Rod Extension

Material: Shaft



| Catalogue Name | L      | Thread Size |
|----------------|--------|-------------|
| KPKP6L2        | 2.000" | 5/8" NC     |
| KPKP75L2       | 2.000" | 3/4" NC     |
| KPKP6L2.625    | 2.625" | 5/8" NC     |
| KPKP75L2.625   | 2.625" | 3/4" NC     |



| Catalogue Name | L         |
|----------------|-----------|
| M&H-KOext-1    | 45.263 mm |
| M&H-KOext-2    | 55.270 mm |

### CUSTOM KNOCKOUT ROD EXTENSIONS

PLEASE CONTACT US WITH YOUR CUSTOM KNOCKOUT ROD EXTENSION SIZES AND  
 KTM WILL PREMANUFACTURE AND STOCK FOR YOUR FUTURE ORDERING NEEDS